

# NCP5314

## Two/Three/Four-Phase Buck CPU Controller

The NCP5314 provides full-featured and flexible control for the latest high-performance CPUs. The IC can be programmed as a two-, three- or four-phase buck controller, and the per-phase switching frequency can be as high as 1.2 MHz. Combined with external gate drivers and power components, the controller implements a compact, highly integrated multi-phase buck converter.

Enhanced V<sup>2</sup>™ control inherently compensates for variations in both line and load, and achieves current sharing between phases. This control scheme provides the industry's fastest transient response, reducing the need for large banks of output capacitors and higher switching frequency.

The controller meets VR(M)10.x specifications with all the required functions and protection features.

### Features

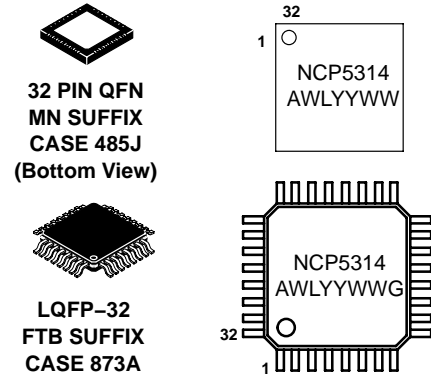
- Switching Regulator Controller
  - ◆ Programmable 2/3/4 Phase Operation
  - ◆ Lossless Current Sensing
  - ◆ Enhanced V<sup>2</sup> Control Method Provides Fast Transient Response
  - ◆ Programmable Up to 1.2 MHz Switching Frequency Per Phase
  - ◆ 0 to 100% Adjustment of Duty Cycle
  - ◆ Programmable Adaptive Voltage Positioning Reduces Output Capacitor Requirements
  - ◆ Programmable Soft-Start
- Current Sharing
  - ◆ Differential Current Sense Pins for Each Phase
  - ◆ Current Sharing Within 10% Between Phases
- Protection Features
  - ◆ Programmable Pulse-by-Pulse Current Limit for Each Phase
  - ◆ “111110” and “111111” DAC Code Fault
  - ◆ Latching Off Overvoltage Protection
  - ◆ Programmable Latching Overcurrent Protection
  - ◆ Undervoltage Lockout
  - ◆ External Enable Control
  - ◆ Three-State MOSFET Driver Control through Driver-On Signal
- System Power Management
  - ◆ 6-Bit DAC with 0.5% Tolerance Compatible with VR(M)10.x Specification
  - ◆ Programmable Lower Power Good Threshold
  - ◆ Power Good Output
- Pb-Free Package is Available



**ON Semiconductor®**

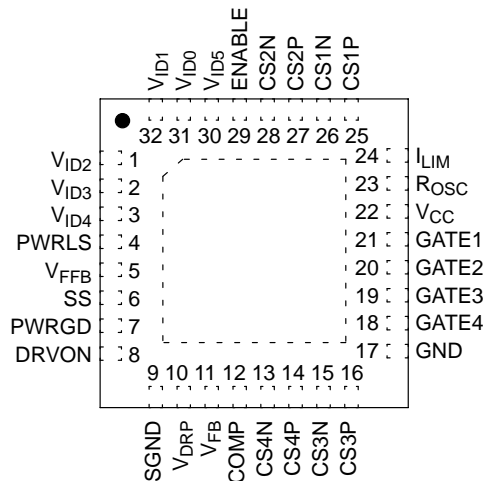
<http://onsemi.com>

### MARKING DIAGRAMS



A = Assembly Location  
 WL = Wafer Lot  
 YY = Year  
 WW = Work Week  
 G = Pb-Free Package

### PIN CONNECTIONS



### ORDERING INFORMATION

Device	Package	Shipping†
NCP5314MNR2	32 Pin QFN	2500 Tape & Reel
NCP5314FTR2	LQFP-32	2000 Tape & Reel
NCP5314FTR2G	LQFP-32 (Pb-Free)	2000 Tape & Reel

†For information on tape and reel specifications, including part orientation and tape sizes, please refer to our Tape and Reel Packaging Specification Brochure. BRD8011/D.

# NCP5314

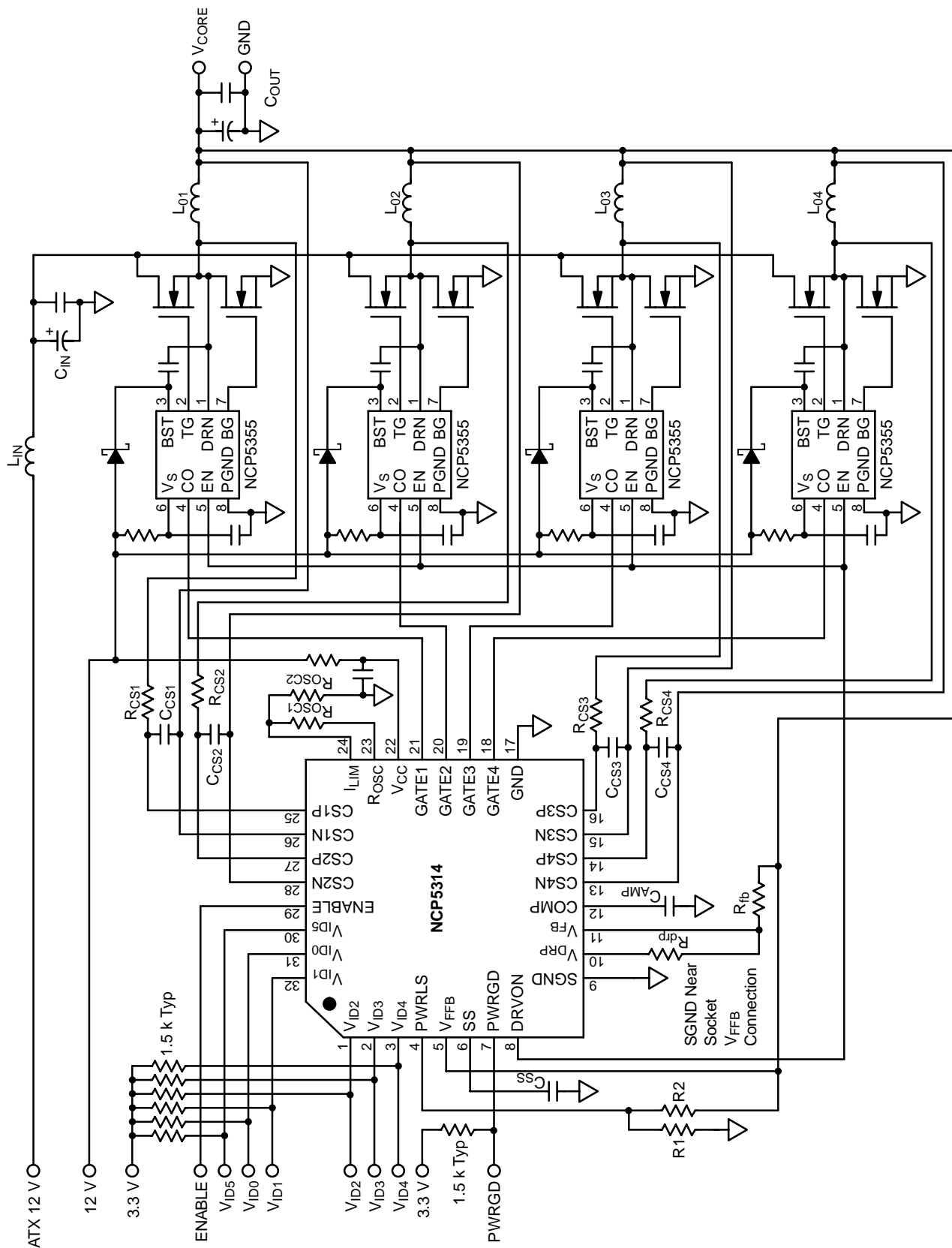


Figure 1. Application Diagram, 12 V to 0.8 V – 1.6 V, Four-Phase Converter

# NCP5314

## MAXIMUM RATINGS

Rating	Value	Unit
Operating Junction Temperature	150	°C
Lead Temperature Soldering, Reflow (Note 1)	230 peak	°C
Storage Temperature Range	-65 to 150	°C
ESD Susceptibility: Human Body Model	2.0	kV
JEDEC Moisture Sensitivity Level (MSL): LQFP QFN	1 2	- -
Package Thermal Resistance: R <sub>θJA</sub> LQFP QFN, Pad Soldered to PCB	52 34	°C/W

Stresses exceeding Maximum Ratings may damage the device. Maximum Ratings are stress ratings only. Functional operation above the Recommended Operating Conditions is not implied. Extended exposure to stresses above the Recommended Operating Conditions may affect device reliability.

1. 60 second maximum above 183°C.

## MAXIMUM RATINGS

Pin Number	Pin Symbol	V <sub>MAX</sub>	V <sub>MIN</sub>	I <sub>SOURCE</sub>	I <sub>SINK</sub>
1-3, 30-32	V <sub>ID0</sub> -V <sub>ID5</sub>	18 V	-0.3 V	1.0 mA	1.0 mA
4	PWRGDS	7.0 V	-0.3 V	1.0 mA	1.0 mA
5	V <sub>FFB</sub>	7.0 V	-0.3 V	1.0 mA	1.0 mA
6	SS	7.0 V	-0.3 V	1.0 mA	1.0 mA
7	PWRGD	18 V	-0.3 V	1.0 mA	20 mA
8	DRVON	7.0 V	-0.3 V	1.0 mA	1.0 mA
9	SGND	1.0 V	-1.0 V	1.0 mA	-
10	V <sub>DRP</sub>	7.0 V	-0.3 V	1.0 mA	1.0 mA
11	V <sub>FB</sub>	7.0 V	-0.3 V	1.0 mA	1.0 mA
12	COMP	7.0 V	-0.3 V	1.0 mA	1.0 mA
13	CS4N	18 V	-0.3 V	1.0 mA	1.0 mA
14	CS4P	18 V	-0.3 V	1.0 mA	1.0 mA
15	CS3N	18 V	-0.3 V	1.0 mA	1.0 mA
16	CS3P	18 V	-0.3 V	1.0 mA	1.0 mA
17	GND	-	-	0.4 A, 1.0 μs, 100 mA DC	-
18-21	GATE4-GATE1	18 V	-0.3 V	0.1 A, 1.0 μs, 25 mA DC	0.1 A, 1.0 μs, 25 mA DC
22	V <sub>CC</sub>	18 V	-0.3 V	-	0.4 A, 1.0 μs, 100 mA DC
23	R <sub>OSC</sub>	7.0 V	-0.3 V	1.0 mA	1.0 mA
24	I <sub>LIM</sub>	7.0 V	-0.3 V	1.0 mA	1.0 mA
25	CS1P	18 V	-0.3 V	1.0 mA	1.0 mA
26	CS1N	18 V	-0.3 V	1.0 mA	1.0 mA
27	CS2P	18 V	-0.3 V	1.0 mA	1.0 mA
28	CS2N	18 V	-0.3 V	1.0 mA	1.0 mA
29	ENABLE	18 V	-0.3 V	1.0 mA	1.0 mA

# NCP5314

**ELECTRICAL CHARACTERISTICS** ( $0^{\circ}\text{C} < T_A < 70^{\circ}\text{C}$ ;  $V_{CC} = 12\text{ V}$ ;  $C_{GATEX} = 100\text{ pF}$ ,  $C_{COMP} = 0.01\text{ }\mu\text{F}$ ,  $C_{SS} = 0.1\text{ }\mu\text{F}$ ,  $C_{VCC} = 0.1\text{ }\mu\text{F}$ ,  $R_{ROSC} = 32.4\text{ k}\Omega$ ,  $V_{(LIM)} = 1.0\text{ V}$ , DAC Code 010100; unless otherwise noted)

## VOLTAGE IDENTIFICATION (VID)

Voltage Identification DAC (0 = Connected to GND, 1 = Open or Pull-Up to Internal 3.3 V or External 5 V)						VID Code* (V)	Min	Typ	Max	Unit
								V <sub>OUT</sub> No Load† (V)		
Accuracy VID Code (All codes)						Connect V <sub>FB</sub> to COND, Measure Comp	-0.5	-	+0.5%	%
V <sub>ID4</sub>	V <sub>ID3</sub>	V <sub>ID2</sub>	V <sub>ID1</sub>	V <sub>ID0</sub>	V <sub>ID5</sub>					
0	1	0	1	0	0	0.8375	0.8134	0.8175	0.8216	V
0	1	0	0	1	1	0.8500	0.8259	0.8300	0.8342	V
0	1	0	0	1	0	0.8625	0.8383	0.8425	0.8467	V
0	1	0	0	0	1	0.8750	0.8507	0.8550	0.8593	V
0	1	0	0	0	0	0.8875	0.8632	0.8675	0.8718	V
0	0	1	1	1	1	0.9000	0.8756	0.8800	0.8844	V
0	0	1	1	1	0	0.9125	0.8880	0.8925	0.8970	V
0	0	1	1	0	1	0.9250	0.9005	0.9050	0.9095	V
0	0	1	1	0	0	0.9375	0.9129	0.9175	0.9221	V
0	0	1	0	1	1	0.9500	0.9254	0.9300	0.9347	V
0	0	1	0	1	0	0.9625	0.9378	0.9425	0.9472	V
0	0	1	0	0	1	0.9750	0.9502	0.9550	0.9598	V
0	0	1	0	0	0	0.9875	0.9627	0.9675	0.9723	V
0	0	0	1	1	1	1.0000	0.9751	0.9800	0.9849	V
0	0	0	1	1	0	1.0125	0.9875	0.9925	0.9975	V
0	0	0	1	0	1	1.0250	1.0000	1.0050	1.0100	V
0	0	0	1	0	0	1.0375	1.0124	1.0175	1.0226	V
0	0	0	0	1	1	1.0500	1.0249	1.0300	1.0352	V
0	0	0	0	1	0	1.0625	1.0373	1.0425	1.0477	V
0	0	0	0	0	1	1.0750	1.0497	1.0550	1.0603	V
0	0	0	0	0	0	1.0875	1.0622	1.0675	1.0728	V
1	1	1	1	1	1		OFF			V
1	1	1	1	1	0		OFF			V
1	1	1	1	0	1	1.1000	1.0746	1.0800	1.0854	V
1	1	1	1	0	0	1.1125	1.0870	1.0925	1.0980	V
1	1	1	0	1	1	1.1250	1.0995	1.1050	1.1105	V
1	1	1	0	1	0	1.1375	1.1119	1.1175	1.1231	V
1	1	1	0	0	1	1.1500	1.1244	1.1300	1.1357	V
1	1	1	0	0	0	1.1625	1.1368	1.1425	1.1482	V
1	1	0	1	1	1	1.1750	1.1492	1.1550	1.1608	V
1	1	0	1	1	0	1.1875	1.1617	1.1675	1.1733	V
1	1	0	1	0	1	1.2000	1.1741	1.1800	1.1859	V
1	1	0	1	0	0	1.2125	1.1865	1.1925	1.1985	V
1	1	0	0	1	1	1.2250	1.1990	1.2050	1.2110	V

\*VID Code is for reference only.

†V<sub>OUT</sub> No Load is the input to the error amplifier.

# NCP5314

**ELECTRICAL CHARACTERISTICS** ( $0^{\circ}\text{C} < T_A < 70^{\circ}\text{C}$ ;  $V_{CC} = 12\text{ V}$ ;  $C_{GATEX} = 100\text{ pF}$ ,  $C_{COMP} = 0.01\text{ }\mu\text{F}$ ,  $C_{SS} = 0.1\text{ }\mu\text{F}$ ,  $C_{VCC} = 0.1\text{ }\mu\text{F}$ ,  $R_{ROSC} = 32.4\text{ k}\Omega$ ,  $V_{(LIM)} = 1.0\text{ V}$ , DAC Code 010100; unless otherwise noted)

## VOLTAGE IDENTIFICATION (VID) (CONTINUED)

Voltage Identification DAC (0 = Connected to GND, 1 = Open or Pull-Up to Internal 3.3 V or External 5 V)						VID Code* (V)	Min	Typ	Max	Unit
							-0.5	-	+0.5%	%
Accuracy VID Code (All codes)						Connect VFB to COND, Measure Comp				
VID4	VID3	VID2	VID1	VID0	VID5					
1	1	0	0	1	0	1.2375	1.2114	1.2175	1.2236	V
1	1	0	0	0	1	1.2500	1.2239	1.2300	1.2362	V
1	1	0	0	0	0	1.2625	1.2363	1.2425	1.2487	V
1	0	1	1	1	1	1.2750	1.2487	1.2550	1.2613	V
1	0	1	1	1	0	1.2875	1.2612	1.2675	1.2738	V
1	0	1	1	0	1	1.3000	1.2736	1.2800	1.2864	V
1	0	1	1	0	0	1.3125	1.2860	1.2925	1.2990	V
1	0	1	0	1	1	1.3250	1.2985	1.3050	1.3115	V
1	0	1	0	1	0	1.3375	1.3109	1.3175	1.3241	V
1	0	1	0	0	1	1.3500	1.3234	1.3300	1.3367	V
1	0	1	0	0	0	1.3625	1.3358	1.3425	1.3492	V
1	0	0	1	1	1	1.3750	1.3482	1.3550	1.3618	V
1	0	0	1	1	0	1.3875	1.3607	1.3675	1.3743	V
1	0	0	1	0	1	1.4000	1.3731	1.3800	1.3869	V
1	0	0	1	0	0	1.4125	1.3855	1.3925	1.3995	V
1	0	0	0	1	1	1.4250	1.3980	1.4050	1.4120	V
1	0	0	0	1	0	1.4375	1.4104	1.4175	1.4246	V
1	0	0	0	0	1	1.4500	1.4229	1.4300	1.4372	V
1	0	0	0	0	0	1.4625	1.4353	1.4425	1.4497	V
0	1	1	1	1	1	1.4750	1.4477	1.4550	1.4623	V
0	1	1	1	1	0	1.4875	1.4602	1.4675	1.4748	V
0	1	1	1	0	1	1.5000	1.4726	1.4800	1.4874	V
0	1	1	1	0	0	1.5125	1.4850	1.4925	1.5000	V
0	1	1	0	1	1	1.5250	1.4975	1.5050	1.5125	V
0	1	1	0	1	0	1.5375	1.5099	1.5175	1.5251	V
0	1	1	0	0	1	1.5500	1.5224	1.5300	1.5377	V
0	1	1	0	0	0	1.5625	1.5348	1.5425	1.5502	V
0	1	0	1	1	1	1.5750	1.5472	1.5550	1.5628	V
0	1	0	1	1	0	1.5875	1.5597	1.5675	1.5753	V
0	1	0	1	0	1	1.6000	1.5721	1.5800	1.5879	V

\*VID Code is for reference only.

†V<sub>OUT</sub> No Load is the input to the error amplifier.

# NCP5314

**ELECTRICAL CHARACTERISTICS** ( $0^{\circ}\text{C} < T_A < 70^{\circ}\text{C}$ ;  $V_{CC} = 12\text{ V}$ ;  $C_{\text{GATE}x} = 100\text{ pF}$ ,  $C_{\text{COMP}} = 0.01\text{ }\mu\text{F}$ ,  $C_{\text{SS}} = 0.1\text{ }\mu\text{F}$ ,  $C_{VCC} = 0.1\text{ }\mu\text{F}$ ,  $R_{\text{ROSC}} = 32.4\text{ k}\Omega$ ,  $V_{(\text{LIM})} = 1.0\text{ V}$ , DAC Code 010100; unless otherwise noted)

Characteristic	Test Conditions	Min	Typ	Max	Unit
<b>VID Inputs</b>					
Input Threshold	$V_{\text{ID}5}, V_{\text{ID}4}, V_{\text{ID}3}, V_{\text{ID}2}, V_{\text{ID}1}, V_{\text{ID}0}$	400	600	800	mV
VID Pin Current	$V_{\text{ID}5}, V_{\text{ID}4}, V_{\text{ID}3}, V_{\text{ID}2}, V_{\text{ID}1}, V_{\text{ID}0} = 0\text{ V}$	–	0.1	1.0	$\mu\text{A}$
SGND Bias Current	SGND < 300 mV, All DAC Codes	10	20	40	$\mu\text{A}$
SGND Voltage Compliance Range	–	–200	–	300	mV
<b>Power Good</b>					
Upper Threshold, Offset from No Load Set Point		85	100	115	mV
Lower Threshold Constant	PWRGDS/No Load Set Point	0.475	0.500	0.525	V/V
Output Low Voltage	$V_{\text{FFB}} = 1.0\text{ V}$ , $I_{\text{PWRGD}} = 4.0\text{ mA}$	–	0.15	0.40	V
Delay	$V_{\text{FFB}}$ low to PWRGD low	50	232	600	$\mu\text{s}$
<b>Overvoltage Protection</b>					
OVP Threshold above VID	–	170	200	250	mV
<b>Enable Input</b>					
Start Threshold	Gates switching, SS high	0.6	0.7	0.8	V
Stop Threshold	Gates not switching, SS low	0.4	0.5	0.6	V
Hysteresis	–	–	200	–	mV
Input Pull-Up Voltage	1.0 M $\Omega$ to GND	2.7	2.9	3.3	V
Input Pull-Up Resistance	–	7.0	10	20	k $\Omega$
<b>Voltage Feedback Error Amplifier</b>					
$V_{\text{FB}}$ Bias Current	–	–	0.1	1.0	$\mu\text{A}$
COMP Source Current	COMP = 0.5 V to 2.0 V	40	70	100	$\mu\text{A}$
COMP Sink Current	–	40	70	100	$\mu\text{A}$
Transconductance	(Note 2)	1.1	1.3	1.5	mmho
Open Loop DC Gain	(Note 2)	72	80	–	dB
Unity Gain Bandwidth	$C_{\text{COMP}} = 30\text{ pF}$ (Note 2)	–	4.0	–	MHz
PSRR @ 1.0 kHz	(Note 2)	–	60	–	dB
COMP Max Voltage	$V_{\text{FB}} = 0\text{ V}$	2.4	2.7	–	V
COMP Min Voltage	$V_{\text{FB}} = 1.6\text{ V}$	–	50	150	mV
<b>PWM Comparators</b>					
Minimum Pulse Width	Measured from CSxP to GATE <sub>x</sub> , $V_{\text{FB}} = \text{CSxN} = 0.5$ , COMP = 0.5 V, 60 mV step between CSxP and CSxN; Measure at GATE <sub>x</sub> = 1.0 V	–	40	100	ns
Transient Response Time	Measured from CSxN to GATE <sub>x</sub> , COMP = 2.1 V, CSxP = CSxN = 0.5 V, CSxN stepped from 1.2 V to 2.0 V	–	40	60	ns
Channel Startup Offset	CSxP = CSxN = $V_{\text{FB}} = 0$ , Measure $V_{\text{comp}}$ when GATE <sub>x</sub> switch high	0.35	0.62	0.75	V
Artificial Ramp Amplitude	50% duty cycle	–	100	–	mV
<b>MOSFET Driver Enable (DRVON)</b>					
Output High	DRVON floating	2.3	–	–	V
Output Low	–	–	–	0.2	V
Pull-Down Resistance	DRVON = 1.5 V, ENABLE = 0 V, $R = 1.5\text{ V}/I(\text{DRVON})$	35	70	140	k $\Omega$
Source Current	DRVON = 1.5 V	0.5	3.0	6.5	mA

2. Guaranteed by design, not tested in production.

# NCP5314

**ELECTRICAL CHARACTERISTICS (continued)** ( $0^{\circ}\text{C} < T_A < 70^{\circ}\text{C}$ ;  $V_{CC} = 12\text{ V}$ ;  $C_{GATEX} = 100\text{ pF}$ ,  $C_{COMP} = 0.01\text{ }\mu\text{F}$ ,  $C_{SS} = 0.1\text{ }\mu\text{F}$ ,  $C_{VCC} = 0.1\text{ }\mu\text{F}$ ,  $R_{ROSC} = 32.4\text{ k}\Omega$ ,  $V(I_{LIM}) = 1.0\text{ V}$ , DAC Code 010100; unless otherwise noted)

Characteristic	Test Conditions	Min	Typ	Max	Unit
----------------	-----------------	-----	-----	-----	------

## GATES

High Voltage	Measure GATEX, $I_{GATEX} = 1.0\text{ mA}$	–	2.70	–	V
Low Voltage	Measure GATEX, $I_{GATEX} = 1.0\text{ mA}$	–	0.5	0.7	V
Rise Time GATE	$0.8\text{ V} < \text{GATEX} < 2.0\text{ V}$ , $V_{CC} = 10\text{ V}$	–	5.0	10	ns
Fall Time GATE	$2.0\text{ V} > \text{GATEX} > 0.8\text{ V}$ , $V_{CC} = 10\text{ V}$	–	5.0	10	ns

## Oscillator

Switching Frequency	$R_{OSC} = 32.4\text{ k}$ , 3 Phase (Note 2) $R_{OSC} = 32.4\text{ k}$ , 4 Phase (Note 2)	–15% –15%	880 660	+15% +15%	kHz
$R_{OSC}$ Voltage	–	0.95	1.02	1.05	V
Phase Delay, 3 Phases	$V_{CC} = \text{CS4P} = \text{CS4N}$	–	120	–	deg
Phase Delay, 4 Phases	–	–	90	–	deg
Phase Disable Threshold	$V_{CC} - (\text{CS4P} = \text{CS4N})$	500	–	–	mV

## Adaptive Voltage Positioning

$V_{DRP}$ Output Voltage to $\text{DAC}_{OUT}$ Offset	$\text{CSxP} = \text{CSxN}$ , $V_{FB} = \text{COMP}$ , Measure $V_{DRP} - \text{COMP}$	–15	–	15	mV
Current Sense Amplifier to $V_{DRP}$ Gain	$\text{CSxP} - \text{CSxN} = 80\text{ mV}$ , $V_{FB} = \text{COMP}$ , Measure $V_{DRP} - \text{COMP}$	2.25	2.54	2.75	V/V
$V_{DRP}$ Source Current	–	1.0	7.0	14	mA
$V_{DRP}$ Sink Current	–	0.2	0.4	0.6	mA

## Soft-Start

Charge Current	–	30	44	50	$\mu\text{A}$
Discharge Current	–	90	120	150	$\mu\text{A}$
COMP Pull-Down Current	–	0.2	0.9	2.1	mA

## Current Sensing and Overcurrent Protection

$\text{CSxP}$ Input Bias Current	$\text{CSxN} = \text{CSxP} = 0\text{ V}$	–	0.1	1.0	$\mu\text{A}$
$\text{CSxN}$ Input Bias Current	$\text{CSxN} = \text{CSxP} = 0\text{ V}$	–	0.1	1.0	$\mu\text{A}$
Current Sense Amp to PWM Gain	$\text{CSxN} = 0\text{ V}$ , $\text{CSxP} = 80\text{ mV}$ , Measure $V(\text{COMP})$ when GATEX switches high	–	3.1	–	V/V
Current Sense Amp to PWM Bandwidth	(Note 2)	–	7.0	–	MHz
Current Sense Amp to $I_{LIM}$ Gain	$\text{IO}/(\text{CSxP} - \text{CSxN})$ , $I_{LIM} = 0.6\text{ V}$ , GATEX not switching	2.85	3.30	3.65	V/V
Current Sense Amp to $I_{LIM}$ Bandwidth	(Note 2)	–	1.0	–	MHz
Current Limit Filter Slew Rate	(Note 2)	2.0	5.0	13	$\text{mV}/\mu\text{s}$
$I_{LIM}$ Input Bias Current	$I_{LIM} = 0\text{ V}$	–	0.1	1.0	$\mu\text{A}$
Pulse-by-Pulse Current Limit Threshold Voltage	$V(\text{CSxP}) - V(\text{CSxN})$	80	90	110	mV
Current Sense Common Mode Input Range	(Note 2)	0	–	2.0	V

## General Electrical Specifications

$V_{CC}$ Operating Current	COMP = 0.3 V (no switching)	–	27	35	mA
UVLO Start Threshold	SS charging, GATEX switching	8.5	9.0	9.5	V
UVLO Stop Threshold	GATEX not switching, SS & COMP discharging	7.5	8.0	8.5	V
UVLO Hysteresis	Start – Stop	0.8	1.0	1.2	V

2. Guaranteed by design, not tested in production.

# NCP5314

## PIN DESCRIPTION

Pin No.	Pin Symbol	Pin Name	Description
1–3, 30–32	$V_{ID0}-V_{ID5}$	DAC VID Inputs	VID-compatible logic input used to program the converter output voltage. All high on $V_{ID0}-V_{ID4}$ generates fault.
4	PWRLS	Power Good Sense	Voltage sensing pin for Power Good lower threshold.
5	$V_{FFB}$	Fast Voltage Feedback	Input of PWM comparator for fast voltage feedback, and also the inputs of Power Good sense and overvoltage protection comparators
6	SS	Soft Start	A capacitor between this pin and ground programs the soft start time.
7	PWRGD	Power Good Output	Open collector output goes high when the converter output is in regulation.
8	DRVON	Drive Enable	Logic high enables MOSFET drivers, and logic low turns all MOSFETs off through MOSFET drivers. Pulled to ground through internal 70 k resistor.
9	SGND	Remote Sense Ground	Ground connection for DAC and error amplifier. Provides remote sensing of load ground.
10	$V_{DRP}$	Output of Current Sense Amplifiers for Adaptive Voltage Positioning	The offset above DAC voltage is proportional to the sum of inductor current. A resistor from this pin to $V_{FB}$ programs the amount of Adaptive Voltage Positioning. Leave this pin open for no Adaptive Voltage Positioning.
11	$V_{FB}$	Voltage Feedback	Error amplifier inverting input.
12	COMP	Error Amp Output	Provides loop compensation and is clamped by SS during soft start and fault conditions. It is also the inverting input of PWM comparators.
13	CS4N	Current Sense Reference	Inverting input to current sense amplifier #4.
14	CS4P	Current Sense Input	Non-inverting input to current sense amplifier #4.
15	CS3N	Current Sense Reference	Inverting input to current sense amplifier #3, and Phase 3 disable pin.
16	CS3P	Current Sense Input	Non-inverting input to current sense amplifier #3, and Phase 3 disable pin.
17	GND	Ground	IC power supply return. Connected to IC substrate.
18–21	GATE4–GATE1	Channel Outputs	PWM outputs to drive MOSFET driver ICs.
22	$V_{CC}$	IC Power Supply	Power Supply Input for IC.
23	$R_{OSC}$	Oscillator Frequency Adjust	Resistor to ground programs the oscillator frequency, as shown in Oscillator Frequency graph Figure 7.
24	$I_{LIM}$	Total Current Limit	Resistor divider between $R_{OSC}$ and ground programs the average current limit.
25	CS1P	Current Sense Input	Non-inverting input to current sense amplifier #1.
26	CS1N	Current Sense Reference	Inverting input to current sense amplifier #1.
27	CS2P	Current Sense Input	Non-inverting input to current sense amplifier #2.
28	CS2N	Current Sense Reference	Inverting input to current sense amplifier #2.
29	ENABLE	Enable	A voltage less than the threshold puts the IC in Fault Mode, discharging SS. Connect to system $VID_{PWRGD}$ signal to control powerup sequencing. Hysteresis is provided to prevent chatter.



# NCP5314

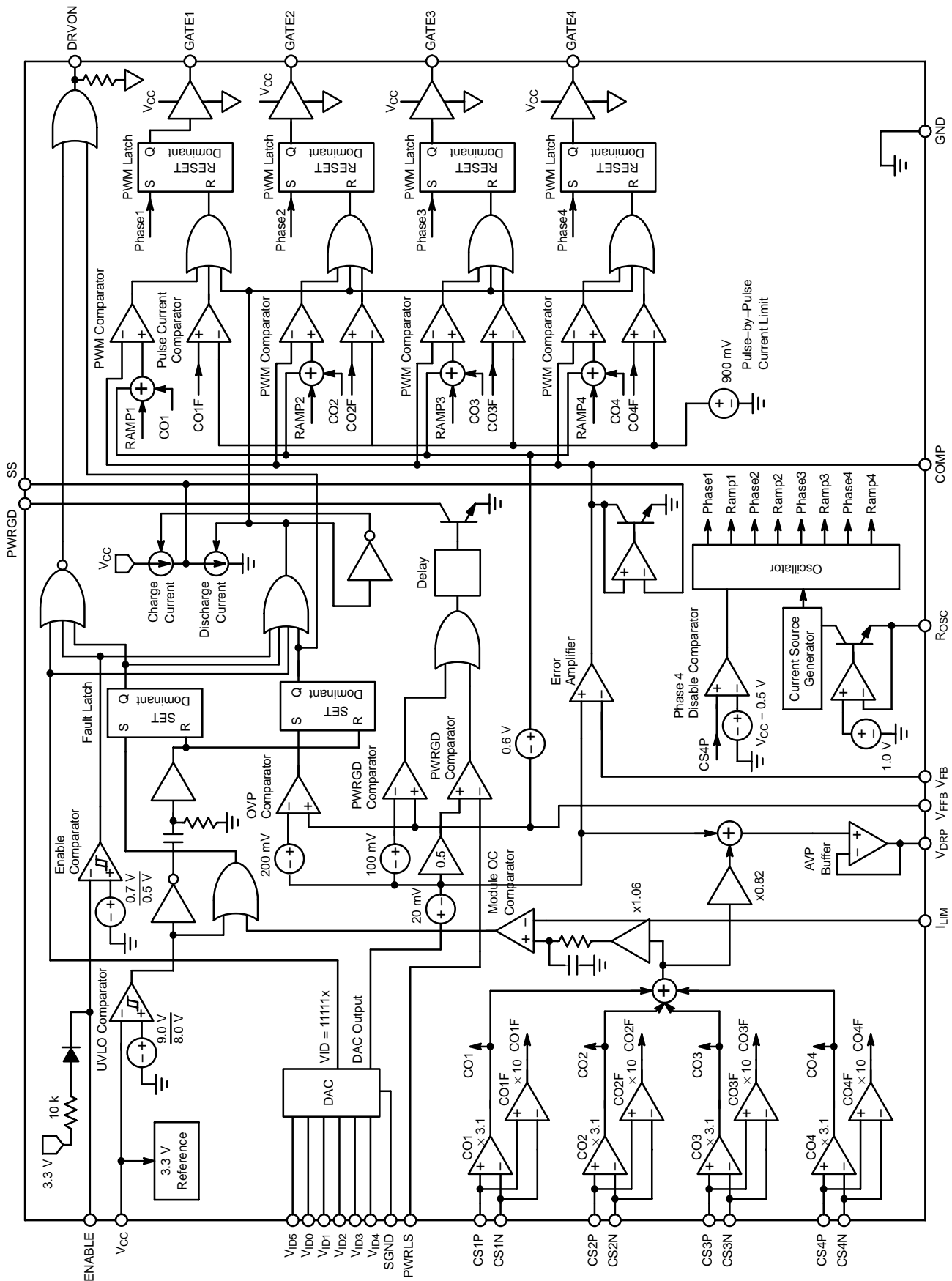


Figure 2. Block Diagram

TYPICAL PERFORMANCE CHARACTERISTICS

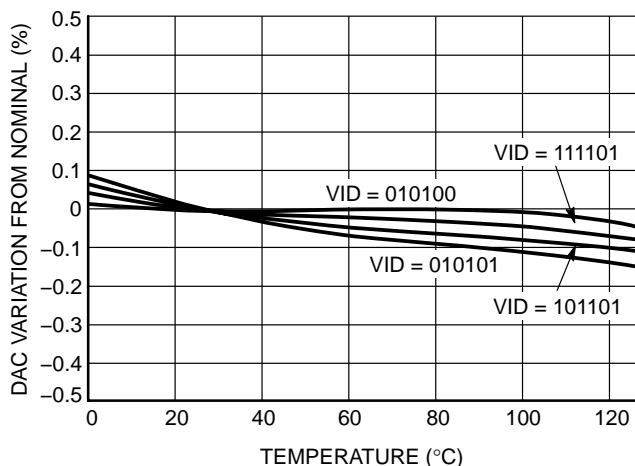


Figure 3. DAC Variation versus Temperature

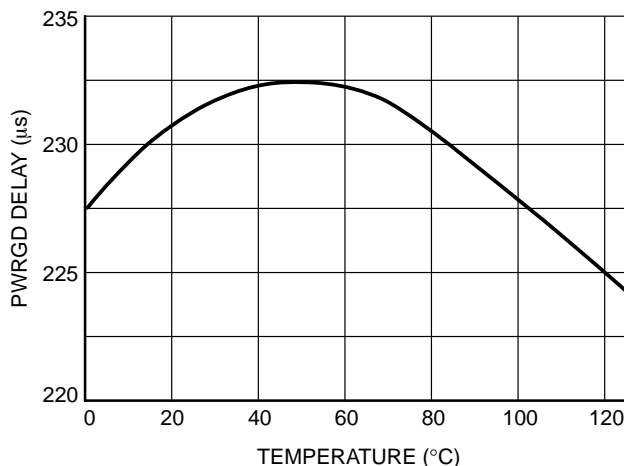


Figure 4. Power Good Delay versus Temperature

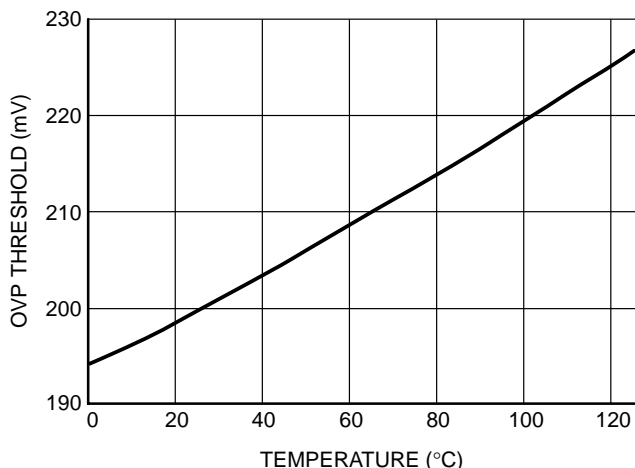


Figure 5. OVP Threshold above VID versus Temperature

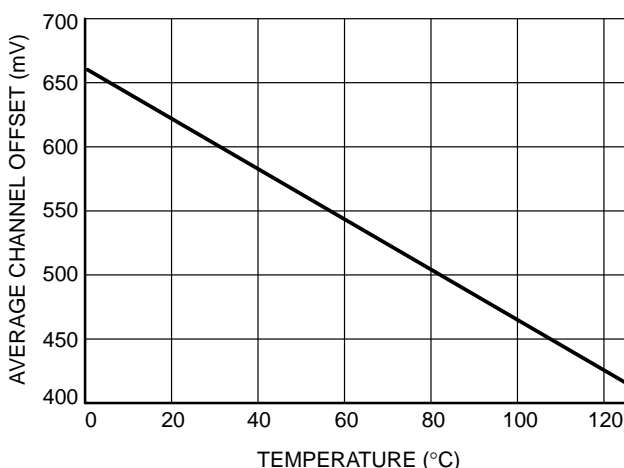


Figure 6. Channel Startup Offset versus Temperature

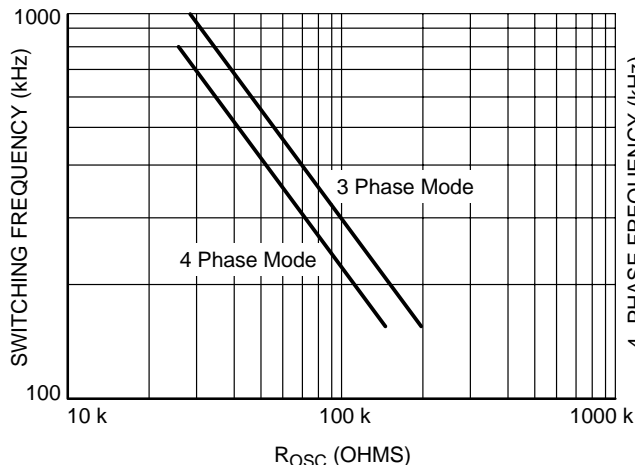


Figure 7. Oscillator Frequency versus Total  $R_{osc}$  Value

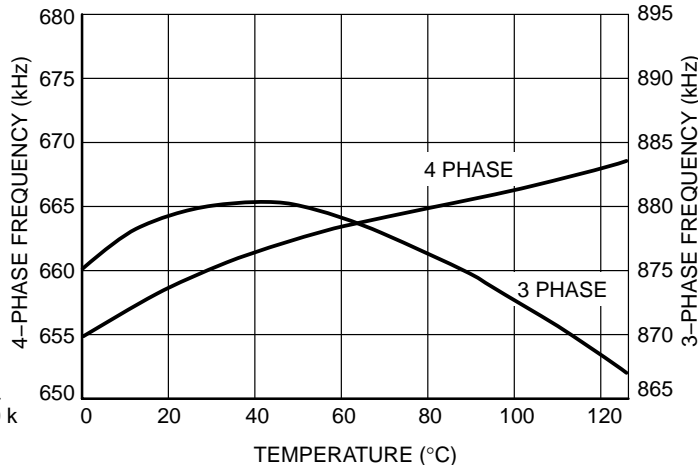


Figure 8. Switching Frequency versus Temperature ( $R_{osc} = 32.4 \text{ k}\Omega$ )

TYPICAL PERFORMANCE CHARACTERISTICS

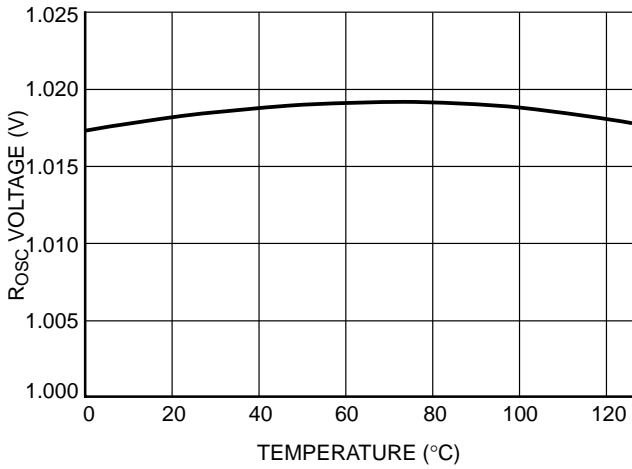


Figure 9. V<sub>ROSC</sub> versus Temperature

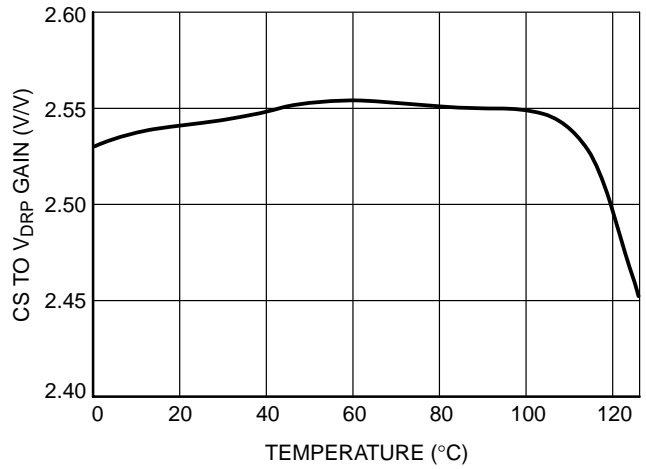


Figure 10. Current Sense to V<sub>DRP</sub> Gain versus Temperature

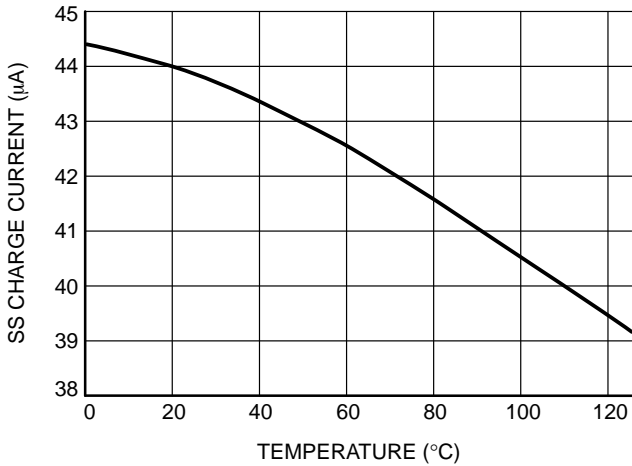


Figure 11. Soft-Start Charge Current versus Temperature

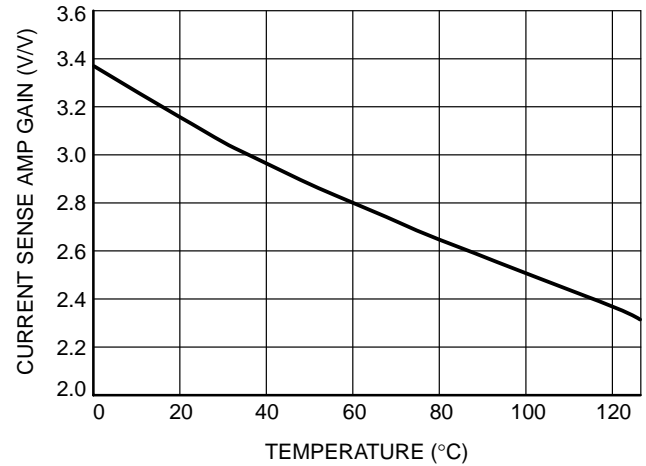


Figure 12. Current Sense Amplifier to PWM Gain versus Temperature

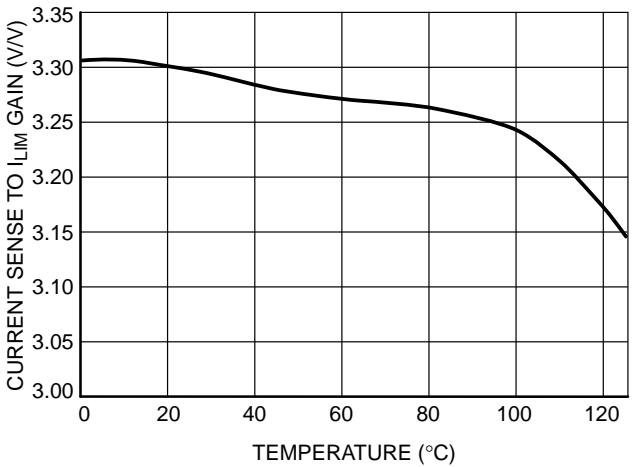


Figure 13. CS Amp to I<sub>LIM</sub> Gain versus Temperature

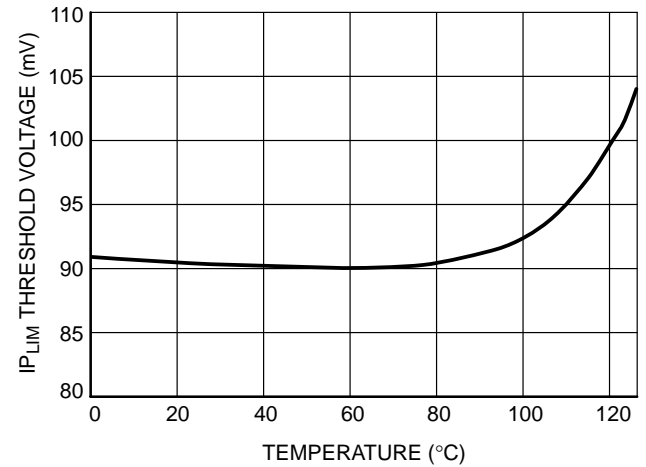


Figure 14. Pulse-by-Pulse Current Limit Threshold versus Temperature

# NCP5314

## TYPICAL PERFORMANCE CHARACTERISTICS

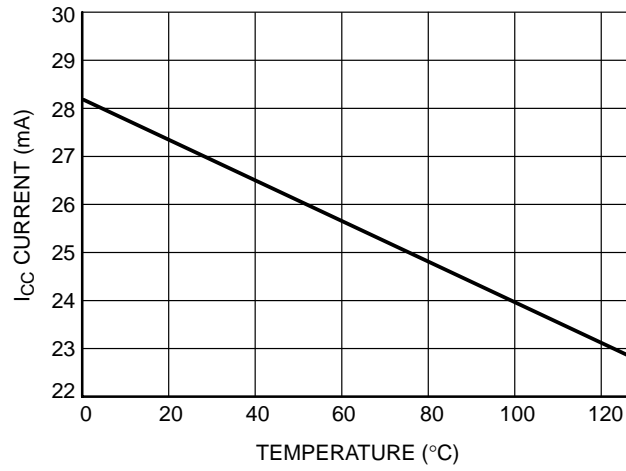


Figure 15. V<sub>CC</sub> Operating Current versus Temperature

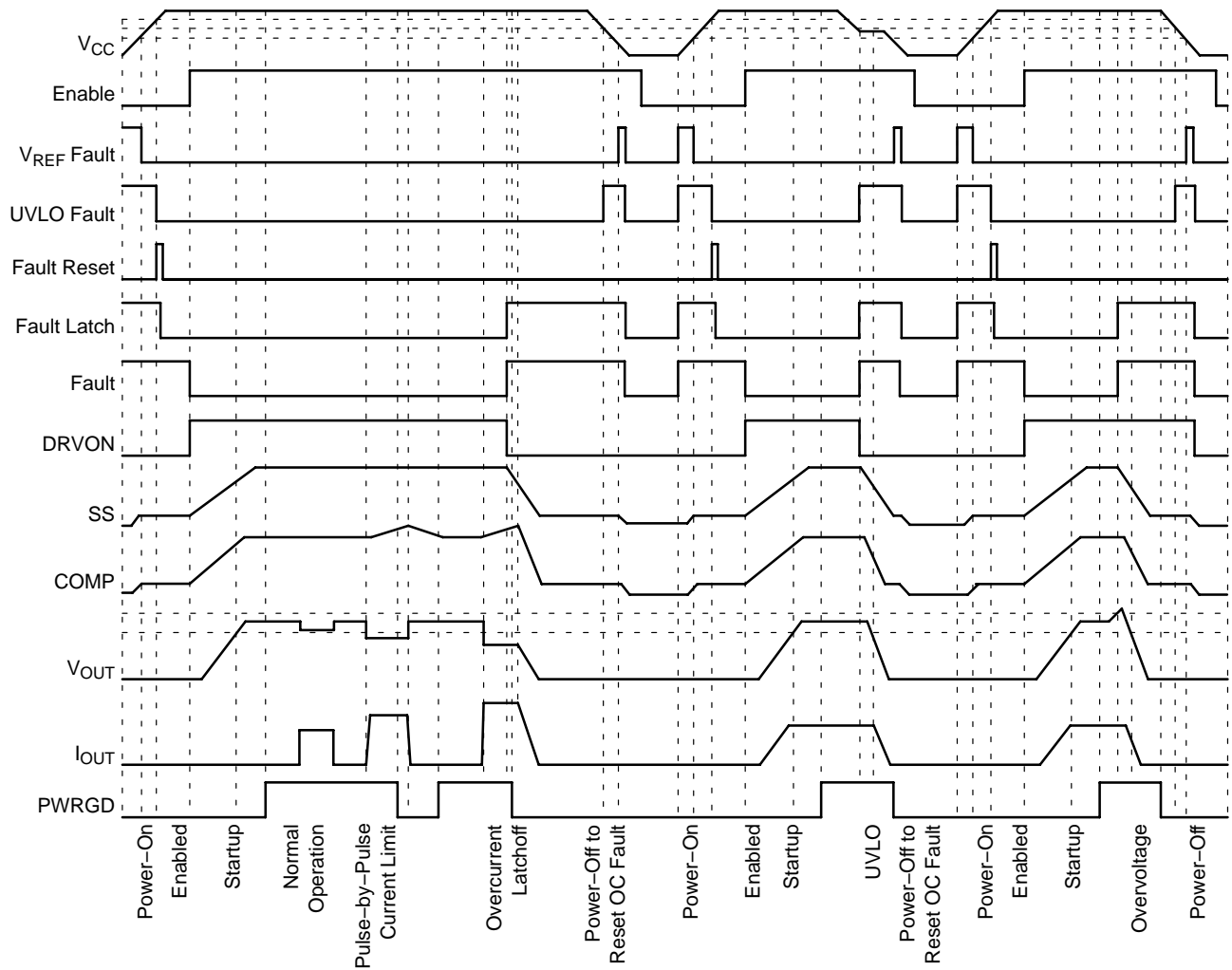


Figure 16. Operating Waveforms

THEORY OF OPERATION

Overview

The NCP5314 DC/DC controller from ON Semiconductor was developed using the Enhanced  $V^2$  topology. Enhanced  $V^2$  combines the original  $V^2$  topology with peak current-mode control for fast transient response and current sensing capability. The addition of an internal PWM ramp and implementation of fast-feedback directly from  $V_{core}$  has improved transient response and simplified design. This controller can be adjusted to operate as a two-, three- or four-phase controller. Differential current sensing provides improved current sharing and easier layout. The NCP5314 includes Power Good (PWRGD), providing a highly integrated solution to simplify design, minimize circuit board area, and reduce overall system cost.

Two advantages of a multi-phase converter over a single-phase converter are current sharing and increased effective output frequency. Current sharing allows the designer to use less inductance in each phase than would be required in a single-phase converter. The smaller inductor will produce larger ripple currents but the total per-phase power dissipation is reduced because the RMS current is lower. Transient response is improved because the control loop will measure and adjust the current faster with a smaller output inductor. Increased effective output frequency is desirable because the off-time and the ripple voltage of the multi-phase converter will be less than that of a single-phase converter.

Fixed Frequency Multi-Phase Control

In a multi-phase converter, multiple converters are connected in parallel and are switched on at different times. This reduces output current from the individual converters and increases the ripple frequency. Because several converters are connected in parallel, output current can ramp up or down faster than a single converter (with the same value output inductor) and heat is spread among multiple components.

The NCP5314 controller uses four-phase, fixed-frequency, Enhanced  $V^2$  architecture to measure and control currents in individual phases. In four phase mode, each phase is delayed  $90^\circ$  from the previous phase ( $120^\circ$  in three-phase mode). Normally, GATE<sub>x</sub> transitions to a high voltage at the beginning of each oscillator cycle. Inductor current ramps up until the combination of the amplified current sense signal, the internal ramp and the output voltage ripple trip the PWM comparator and bring GATE<sub>x</sub> low. Once GATE<sub>x</sub> goes low, it will remain low until the beginning of the next oscillator cycle. While GATE<sub>x</sub> is high, the Enhanced  $V^2$  loop will respond to line and load variations. On the other hand, once GATE<sub>x</sub> is low, the loop cannot respond until the beginning of the next PWM cycle. Therefore, constant frequency Enhanced  $V^2$  will typically respond to disturbances within the off-time of the converter.

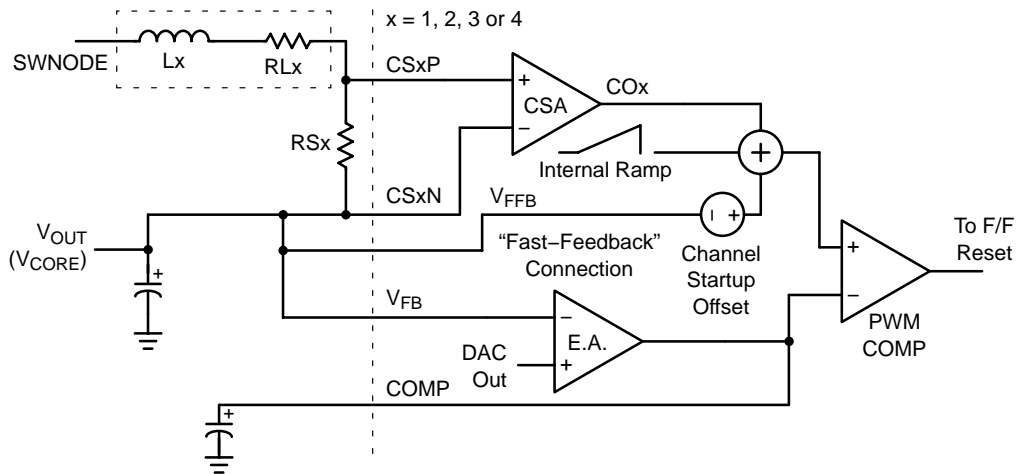


Figure 17. Enhanced  $V^2$  Control Employing Resistive Current Sensing and Internal Ramp

The Enhanced  $V^2$  architecture measures and adjusts the output current in each phase. An additional differential input (CS<sub>x</sub>N and CS<sub>x</sub>P) for inductor current information has been added to the  $V^2$  loop for each phase as shown in Figure 17. The triangular inductor current is measured differentially across RS, amplified by CSA and summed with the channel startup offset, the internal ramp and the output voltage at the non-inverting input of the PWM comparator. The purpose of the internal ramp is to compensate for propagation delays in the NCP5314. This provides greater design flexibility by allowing smaller external ramps, lower minimum pulse

widths, higher frequency operation and PWM duty cycles above 50% without external slope compensation. As the sum of the inductor current and the internal ramp increase, the voltage on the positive pin of the PWM comparator rises and terminates the PWM cycle. If the inductor starts a cycle with higher current, the PWM cycle will terminate earlier providing negative feedback. The NCP5314 provides a differential current sense input (CS<sub>x</sub>N and CS<sub>x</sub>P) for each phase. Current sharing is accomplished by referencing all phases to the same COMP pin, so that a phase with a larger

current signal will turn off earlier than a phase with a smaller current signal.

Enhanced  $V^2$  responds to disturbances in  $V_{CORE}$  by employing both “slow” and “fast” voltage regulation. The internal error amplifier performs the slow regulation. Depending on the gain and frequency compensation set by the amplifier’s external components, the error amplifier will typically begin to ramp its output in one or two PWM cycles. Fast voltage feedback is implemented by a direct connection from  $V_{core}$  to the non-inverting pin of the PWM comparator via the summation with the inductor current, internal ramp and offset. A rapid increase in output current will produce a negative offset at  $V_{core}$  and at the output of the summer. This will cause the PWM duty cycle to increase almost instantly. Fast feedback will typically adjust the PWM duty cycle in one PWM cycle.

As shown in Figure 17, an internal ramp (nominally 100 mV at a 50% duty cycle) is added to the inductor current ramp at the positive terminal of the PWM comparator. This additional ramp compensates for propagation time delays from the current sense amplifier (CSA), the PWM comparator and the MOSFET gate drivers. As a result, the minimum ON time of the controller is reduced and lower duty-cycles may be achieved at higher frequencies. Also, the additional ramp reduces the reliance on the inductor current ramp and allows greater flexibility when choosing the output inductor and the  $R_{CSx}C_{CSx}$  time constant of the feedback components from  $V_{CORE}$  to the CSx pin.

Including both current and voltage information in the feedback signal allows the open loop output impedance of the power stage to be controlled. When the average output current is zero, the COMP pin will be:

$$V_{COMP} = V_{OUT} @ 0 A + Channel\_Startup\_Offset + Int\_Ramp + G_{CSA} \cdot Ext\_Ramp/2$$

$Int\_Ramp$  is the “partial” internal ramp value at the corresponding duty cycle,  $Ext\_Ramp$  is the peak-to-peak external steady-state ramp at 0 A,  $G_{CSA}$  is the current sense amplifier gain (nominally 3.0 V/V) and the channel startup offset is typically 0.60 V. The magnitude of the  $Ext\_Ramp$  can be calculated from:

$$Ext\_Ramp = D \cdot (V_{IN} - V_{OUT}) / (R_{CSx} \cdot C_{CSx} \cdot f_{SW})$$

For example, if  $V_{OUT}$  at 0 A is set to 1.480 V with AVP and the input voltage is 12.0 V, the duty cycle (D) will be 1.48/12.0 or 12.3%.  $Int\_Ramp$  will be 100 mV/50% · 12.3% = 25 mV. Realistic values for  $R_{CSx}$ ,  $C_{CSx}$  and  $f_{SW}$  are 10 k $\Omega$ , 0.015  $\mu$ F and 650 kHz. Using these and the previously mentioned formula,  $Ext\_Ramp$  will be 15.0 mV.

$$\begin{aligned} V_{COMP} &= 1.48 V + 0.62 V + 25 mV \\ &\quad + 2.65 V/V \cdot 15.0 mV/2 \\ &= 2.145 V_{dc} \end{aligned}$$

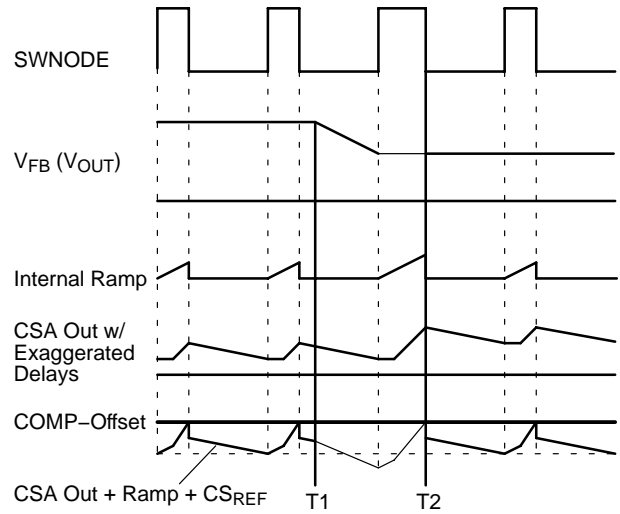


Figure 18. Open Loop Operation

If the COMP pin is held steady and the inductor current changes, there must also be a change in the output voltage or, in a closed loop configuration when the output current changes, the COMP pin must move to keep the same output voltage. The required change in the output voltage or COMP pin depends on the scaling of the current feedback signal and is calculated as:

$$\Delta V = R_S \cdot G_{CSA} \cdot \Delta I_{OUT}$$

The single-phase power stage output impedance is:

$$Single\ Stage\ Impedance = \Delta V_{OUT} / \Delta I_{OUT} = R_S \cdot G_{CSA}$$

The total output impedance will be the single stage impedance divided by the number of phases in operation.

The output impedance of the power stage determines how the converter will respond during the first few microseconds of a transient before the feedback loop has repositioned the COMP pin.

The peak output current can be calculated from:

$$I_{OUT,PEAK} = (V_{COMP} - V_{OUT} - Offset) / (R_S \cdot G_{CSA})$$

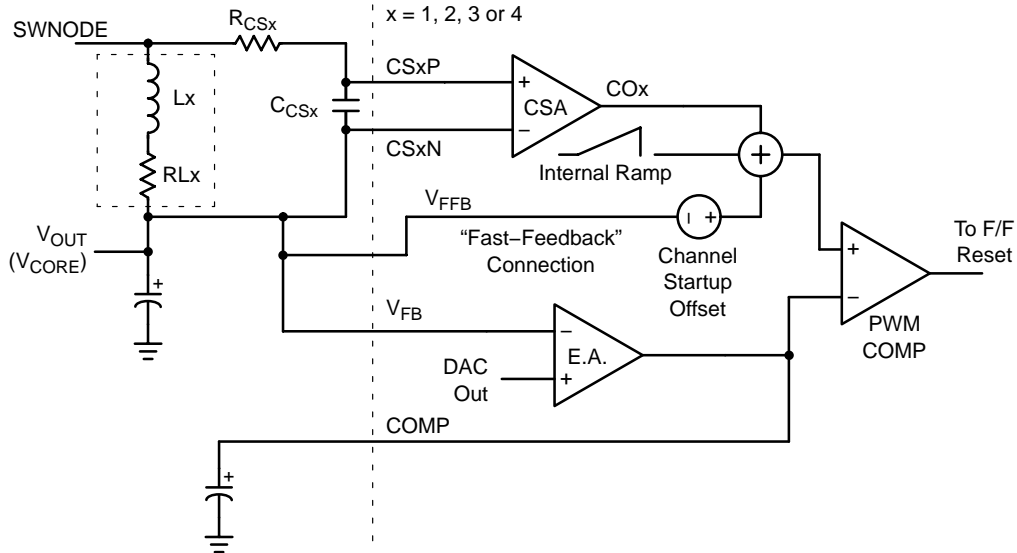
Figure 18 shows the step response of the COMP pin at a fixed level. Before T1, the converter is in normal steady-state operation. The inductor current provides a portion of the PWM ramp through the current sense amplifier. The PWM cycle ends when the sum of the current ramp, the “partial” internal ramp voltage signal and offset exceed the level of the COMP pin. At T1, the output current increases and the output voltage sags. The next PWM cycle begins and the cycle continues longer than previously while the current signal increases enough to make up for the lower voltage at the  $V_{FB}$  pin and the cycle ends at T2. After T2, the output voltage remains lower than at light load and the average current signal level (CSx output) is raised so that the sum of the current and voltage signal is the same as with the original load. In a closed

loop system, the COMP pin would move higher to restore the output voltage to the original level.

**Inductive Current Sensing**

For lossless sensing, current can be measured across the inductor as shown in Figure 19. In the diagram, L is the output inductance and  $R_L$  is the inherent inductor resistance.

To compensate the current sense signal, the values of  $R_{CSx}$  and  $C_{CSx}$  are chosen so that  $L/R_L = R_{CSx} \cdot C_{CSx}$ . If this criteria is met, the current sense signal should be the same shape as the inductor current and the voltage signal at CSx will represent the instantaneous value of inductor current. Also, the circuit can be analyzed as if a sense resistor of value  $R_L$  was used.



**Figure 19. Enhanced V<sup>2</sup> Control Employing Lossless Inductive Current Sensing and Internal Ramp**

When choosing or designing inductors for use with inductive sensing, tolerances and temperature effects should be considered. Cores with a low permeability material or a large gap will usually have minimal inductance change with temperature and load. Copper magnet wire has a temperature coefficient of 0.39% per °C. The increase in winding resistance at higher temperatures should be considered when setting the OCSET threshold. If a more accurate current sense is required than inductive sensing can provide, current can be sensed through a resistor as shown in Figure 17.

**Current Sharing Accuracy**

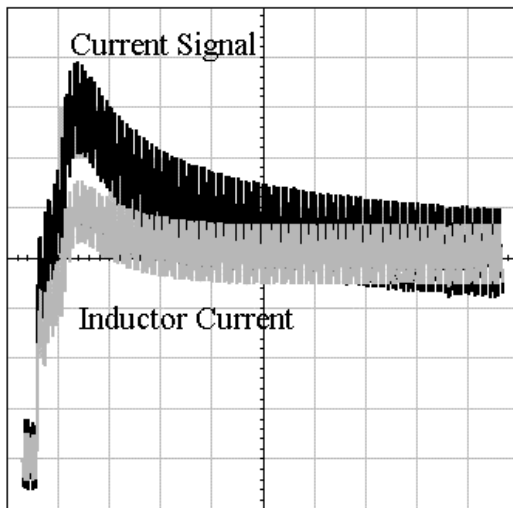
Printed Circuit Board (PCB) traces that carry inductor current can be used as part of the current sense resistance depending on where the current sense signal is picked off. For accurate current sharing, the current sense inputs should sense the current at relatively the same points for each phase. In some cases, especially with inductive sensing, resistance of the PCB can be useful for increasing the current sense resistance. The total current sense resistance used for calculations must include any PCB trace resistance that carries inductor current between the CSxP input and the CSxN input.

Current Sense Amplifier (CSA) input mismatch and the value of the current sense component will determine the accuracy of the current sharing between phases. The worst case CSA input mismatch is ±10 mV and will typically be within 4.0 mV. The difference in peak currents between

phases will be the CSA input mismatch divided by the current sense resistance. If all current sense components are of equal resistance, a 3.0 mV mismatch with a 2.0 mΩ sense resistance will produce a 1.5 A difference in current between phases.

**External Ramp Size and Current Sensing**

The internal ramp allows flexibility in setting the current sense time constant. Typically, the current sense  $R_{CSx} \cdot C_{CSx}$  time constant should be equal to or slightly slower than the inductor’s time constant. If RC is chosen to be smaller (faster) than  $L/R_L$ , the AC or transient portion of the current sensing signal will be scaled larger than the DC portion. This will provide a larger steady-state ramp, but circuit performance will be affected and must be evaluated carefully. The current signal will overshoot during transients and settle at the rate determined by  $R_{CSx} \cdot C_{CSx}$ . It will eventually settle to the correct DC level, but the error will decay with the time constant of  $R_{CSx} \cdot C_{CSx}$ . If this error is excessive, it will affect transient response, adaptive positioning and current limit. During a positive current transient, the COMP pin will be required to undershoot in response to the current signal in order to maintain the output voltage. Similarly, the  $V_{DRP}$  signal will overshoot which will produce too much transient droop in the output voltage. The single-phase pulse-by-pulse overcurrent protection will trip earlier than it would if compensated correctly and hiccup-mode current limit will have a lower threshold for fast rising step loads than for slowly rising output currents.



**Figure 20. Inductive Sensing Waveform During a Load Step with Fast RC Time Constant (50  $\mu$ s/div)**

The waveforms in Figure 20 show a simulation of the current sense signal and the actual inductor current during a positive step in load current with values of  $L = 500$  nH,  $R_L = 1.6$  m $\Omega$ ,  $R_{CSx} = 20$  k $\Omega$  and  $C_{CSx} = .01$   $\mu$ F. In this case, ideal current signal compensation would require  $R_{CSx}$  to be 31 k $\Omega$ . Due to the faster than ideal RC time constant, there is an overshoot of 50% and the overshoot decays with a 200  $\mu$ s time constant. With this compensation, the  $I_{LIM}$  pin threshold must be set more than 50% above the full load current to avoid triggering current limit during a large output load step.

#### Transient Response and Adaptive Voltage Positioning

For applications with fast transient currents, the output filter is frequently sized larger than ripple currents require in order to reduce voltage excursions during load transients. Adaptive voltage positioning can reduce peak-to-peak output voltage deviations during load transients and allow for a smaller output filter. The output voltage can be set higher than nominal at light loads to reduce output voltage sag when the load current is applied. Similarly, the output voltage can be set lower than nominal during heavy loads to reduce overshoot when the load current is removed. For low current applications, a droop resistor can provide fast, accurate adaptive positioning. However, at high currents, the loss in a droop resistor becomes excessive. For example, a 50 A converter with a 1 m $\Omega$  resistor would provide a 50 mV change in output voltage between no load and full load and would dissipate 2.5 W.

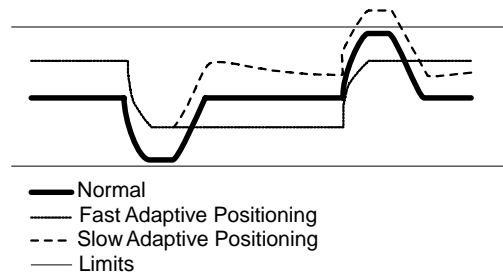
Lossless adaptive voltage positioning (AVP) is an alternative to using a droop resistor, but it must respond to changes in load current. Figure 21 shows how AVP works. The waveform labeled “normal” shows a converter without AVP. On the left, the output voltage sags when the output current is stepped up and later overshoots when current is stepped back down. With fast (ideal) AVP, the peak-to-peak excursions are cut in half. In the slow AVP waveform, the

output voltage is not repositioned quickly enough after current is stepped up and the upper limit is exceeded.

The controller can be configured to adjust the output voltage based on the output current of the converter. (Refer to the application diagram in Figure 1). The no-load positioning is now set internally to  $VID - 20$  mV, reducing the potential error due to resistor and bias current mismatches.

In order to realize the AVP function, a resistor divider network is connected between  $V_{FB}$ ,  $V_{DRP}$  and  $V_{OUT}$ . During no-load conditions, the  $V_{DRP}$  pin is at the same voltage as the  $V_{FB}$  pin. As the output current increases, the  $V_{DRP}$  pin voltage increases proportionally. This drives the  $V_{FB}$  voltage higher, causing  $V_{OUT}$  to “droop” according to a loadline set by the resistor divider network.

The response during the first few microseconds of a load transient is controlled primarily by power stage output impedance, and by the ESR and ESL of the output filter. The transition between fast and slow positioning is controlled by the total ramp size and the error amp compensation. If the ramp size is too large or the error amp too slow, there will be a long transition to the final voltage after a transient. This will be most apparent with low capacitance output filters.



**Figure 21. Adaptive Voltage Positioning**

#### Overvoltage Protection

Overvoltage protection (OVP) is provided as a result of the normal operation of the Enhanced  $V^2$  control topology with synchronous rectifiers. The control loop responds to an overvoltage condition within 40 ns, causing the GATEx output to shut off. The (external) MOSFET driver should react normally to turn off the top MOSFET and turn on the bottom MOSFET. This results in a “crowbar” action to clamp the output voltage and prevent damage to the load. The regulator will remain in this state until the fault latch is reset by cycling power at the  $V_{CC}$  pin.

#### Power Good

According to the latest specifications, the Power Good (PWRGD) signal must be asserted when the output voltage is within a window defined by the VID code, as shown in Figure 22.

The PWRLS pin is provided to allow the PWRGD comparators to accurately sense the output voltage. The effect of the PWRGD lower threshold can be modified using a resistor divider from the output to PWRLS to ground, as shown in Figure 23.



Since the internally-set thresholds for PWRLS are VID/2 for the lower threshold and VID + 80 mV for the upper threshold, a simple equation can be provided to assist the designer in selecting a resistor divider to provide the desired PWRGD performance.

$$V_{\text{LOWER}} = \frac{V_{\text{VID}} \cdot R_1 + R_2}{2R_1}$$

$$V_{\text{UPPER}} = V_{\text{VID}} + 80 \text{ mV}$$

The logic circuitry inside the chip sets PWRGD low only after a delay period has passed. A “power bad” event does not cause PWRGD to go low unless it is sustained through the delay time of 250 μs. If the anomaly disappears before the end of the delay, the PWRGD output will never be set low.

In order to use the PWRGD pin as specified, the user is advised to connect external resistors as necessary to limit the current into this pin to 4 mA or less.

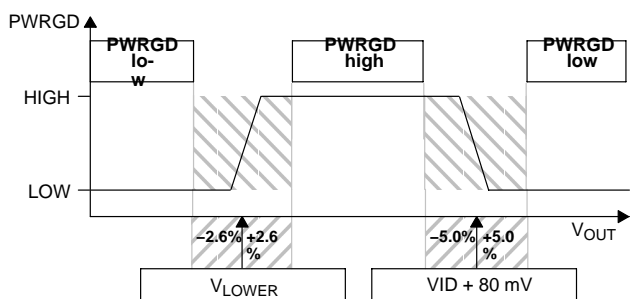


Figure 22. PWRGD Assertion Window

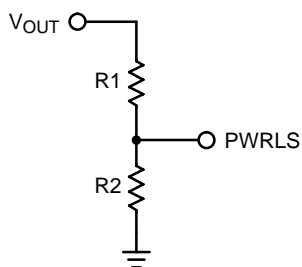


Figure 23. Adjusting the PWRGD Threshold

**Undervoltage Lockout**

The NCP5314 includes an undervoltage lockout circuit. This circuit keeps the IC’s output drivers low until VCC applied to the IC reaches 9 V. The GATE outputs are disabled when VCC drops below 8 V.

**Soft-Start**

At initial power-up, both SS and COMP voltages are zero. The total SS capacitance will begin to charge with a current of 40 μA. The error amplifier directly charges the COMP capacitance. An internal clamp ensures that the COMP pin voltage will always be less than the voltage at the SS pin, ensuring proper startup behavior. All GATE outputs are held

low until the COMP voltage reaches 0.6 V. Once this threshold is reached, the GATE outputs are released to operate normally.

**Current Limit**

Two levels of over-current protection are provided. First, if the voltage between the Current Sense pins (CSxN and CSxP) exceeds the fixed threshold (Single Pulse Current Limit), the PWM comparator is turned off. This provides fast peak current protection for individual phases. Second, the individual phase currents are summed and externally low-pass filtered to compare an averaged current signal to a user adjustable voltage on the ILIM pin. If the ILIM voltage is exceeded, the fault latch trips and the converter is latched off. VCC must be recycled to reset the latch.

**Fault Protection Logic**

The NCP5314 includes fault protection circuitry to prevent harmful modes of operation from occurring. The fault logic is described in Table 1.

**Gate Outputs**

The NCP5314 is designed to operate with external gate drivers. Accordingly, the gate outputs are capable of driving a 100 pF load with typical rise and fall times of 5 ns.

**Digital to Analog Converter (DAC)**

The output voltage of the NCP5314 is set by means of a 6-bit, 0.5% DAC. The VID pins must be pulled high externally. A 1.5 kΩ pullup to a maximum of 3.3 V is recommended to meet Intel specifications. To ensure valid logic signals, the designer should ensure at least 800 mV will be present at the IC for a logic high.

The output of the DAC is described in the Electrical Characteristics section of the data sheet. These outputs are consistent with VR10.x and processor specifications. The DAC output is 20 mV below the VID code specification.

The latest VRM and processor specifications require a power supply to turn its output off in the event of a 11111X VID code. When the DAC sees such a code, the GATE pins stop switching and go low. This condition is described in Table 1.

**Adjusting the Number of Phases**

The NCP5314 was designed with a selectable-phase architecture. Designers may choose any number of phases up to four. The phase delay is automatically adjusted to match the number of phases that will be used. This feature allows the designer to select the number of phases required for a particular application.

Four-phase operation is standard. All phases switch with a 90 degree delay between pulses. No special connections are required.

Three-phase operation is achieved by disabling phase 4. Tie together CS4N and CS4P, and then pull both pins to VCC. The remaining phases will continue to switch, but now there

will be a 120 degree delay between pulses. The phase firing order will become 1–2–3.

Two– and single–phase operation may be realized as well. First, the designer must choose the proper phases. Two phase operation must use phase 2 and 4 by tying CS1N, CS1P, CS3N and CS3P to ground. This will then use phase 2 and

4 as the gate drivers. The other gate drives may switch, so leave them unconnected.

Single phase is best accomplished by using only Phase 2 as the switch controller. Connect CS2P and CS2N pins to the current sense capacitor and the gate drive to the driver IC. Tie all other CSxx pins together and connect them to ground.

**Table 1. Description of Fault Logic**

Faults	Results				
	Stop Switching	PWRGD Level	Driver Enable	SS Characteristics	Reset Method
Overvoltage Lockout	Yes	Low	High	–0.3 mA	Power On
Enable Low	Yes	Depends on output voltage level	Low	–0.3 mA	Not Affected
Module Overcurrent Limit	Yes	Depends on output voltage level	Low	–0.3 mA	Power On
DAC Code = 11111x	Yes	Depends on output voltage level	Low	–0.3 mA	Valid VID
VREF Undervoltage Lockout	Yes	Depends on output voltage level	Low	–0.3 mA	Power On
PWRLS Out of Range	No	Low	High	Not Affected	Not Affected

**APPLICATIONS INFORMATION**

**1. Setting Converter Operating Frequency**

The total resistance from R<sub>OSC</sub> to ground sets the operating frequency for each phase of the converter. The frequency can be set for either the three phase or four phase mode by using Figure 7, “Oscillator Frequency versus Total R<sub>OSC</sub> Value.” After choosing the desired operating frequency and the number of phases, use the figure to determine the necessary resistance. If two phase operation is desired, use the value given for four phase operation.

The voltage from R<sub>OSC</sub> is closely regulated at 1 V. This voltage can be used as the reference for the overcurrent limit set point on the I<sub>LIM</sub> pin. Design a voltage divider with the appropriate division ratio to give the desired I<sub>LIM</sub> voltage and total resistance to set the operating frequency. Since loading by the I<sub>LIM</sub> pin is very small, the frequency selection will not be affected.

**2. Output Capacitor Selection**

The output capacitors filter the current from the output inductor and provide a low impedance for transient load current changes. Typically, microprocessor applications require both bulk (electrolytic, tantalum) and low impedance, high frequency (ceramic) types of capacitors. The bulk capacitors provide “hold up” during transient loading. The low impedance capacitors reduce steady–state ripple and bypass the bulk capacitance when the output current changes very quickly. The microprocessor manufacturers usually specify a minimum number of ceramic capacitors. The designer must determine the number of bulk capacitors.

Choose the number of bulk output capacitors to meet the peak transient requirements. The formula below can be used to provide a starting point for the minimum number of bulk capacitors (N<sub>OUT,MIN</sub>):

$$N_{OUT,MIN} = \text{ESR per capacitor} \cdot \frac{\Delta I_{O,MAX}}{\Delta V_{O,MAX}} \quad (1)$$

In reality, both the ESR and ESL of the bulk capacitors determine the voltage change during a load transient according to:

$$\Delta V_{O,MAX} = (\Delta I_{O,MAX}/\Delta t) \cdot \text{ESL} + \Delta I_{O,MAX} \cdot \text{ESR} \quad (2)$$

Unfortunately, capacitor manufacturers do not specify the ESL of their components and the inductance added by the PCB traces is highly dependent on the layout and routing. Therefore, it is necessary to start a design with slightly more than the minimum number of bulk capacitors and perform transient testing or careful modeling/simulation to determine the final number of bulk capacitors.

The latest Intel processor specifications discuss “dynamic VID” (DVID), in which the VID codes are stepped up or down to a new desired output voltage. Due to the timing requirements at which the output must be in regulation, the output capacitor selection becomes more complicated. The ideal output capacitor selection has low ESR and low capacitance. Too much output capacitance will make it difficult to meet DVID timing specifications; too much ESR will complicate the transient solution. The Sanyo 4SP560M and Panasonic EEU–FL provide a good balance of capacitance vs. ESR.

### 3. Output Inductor Selection

The output inductor may be the most critical component in the converter because it will directly effect the choice of other components and dictate both the steady-state and transient performance of the converter. When selecting an inductor, the designer must consider factors such as DC current, peak current, output voltage ripple, core material, magnetic saturation, temperature, physical size and cost (usually the primary concern).

In general, the output inductance value should be electrically and physically as small as possible to provide the best transient response at minimum cost. If a large inductance value is used, the converter will not respond quickly to rapid changes in the load current. On the other hand, too low an inductance value will result in very large ripple currents in the power components (MOSFETs, capacitors, etc.) resulting in increased dissipation and lower converter efficiency. Increased ripple currents force the designer to use higher rated MOSFETs, oversize the thermal solution, and use more, higher rated input and output capacitors, adversely affecting converter cost.

One method of calculating an output inductor value is to size the inductor to produce a specified maximum ripple current in the inductor. Lower ripple currents will result in less core and MOSFET losses and higher converter efficiency. Equation 3 may be used to calculate the minimum inductor value to produce a given maximum ripple current ( $\alpha$ ) per phase. The inductor value calculated by this equation is a minimum because values less than this will produce more ripple current than desired. Conversely, higher inductor values will result in less than the selected maximum ripple current.

$$L_{O,MIN} = \frac{(V_{IN} - V_{OUT}) \cdot V_{OUT}}{(\alpha \cdot I_{O,MAX} \cdot V_{IN} \cdot f_{SW})} \quad (3)$$

$\alpha$  is the ripple current as a percentage of the maximum output current *per phase* ( $\alpha = 0.15$  for  $\pm 15\%$ ,  $\alpha = 0.25$  for  $\pm 25\%$ , etc.). If the minimum inductor value is used, the inductor current will swing  $\pm \alpha\%$  about its value at the center. Therefore, for a four-phase converter, the inductor must be designed or selected such that it will not saturate with a peak current of  $(1 + \alpha) \cdot I_{O,MAX}/4$ .

The maximum inductor value is limited by the transient response of the converter. If the converter is to have a fast transient response, the inductor should be made as small as possible. If the inductor is too large its current will change too slowly, the output voltage will droop excessively, more bulk capacitors will be required and the converter cost will be increased. For a given inductor value, it is useful to determine the times required to increase or decrease the current.

For increasing current:

$$\Delta t_{INC} = L_o \cdot \Delta I_o / (V_{IN} - V_{OUT}) \quad (3.1)$$

For decreasing current:

$$\Delta t_{DEC} = L_o \cdot \Delta I_o / (V_{OUT}) \quad (3.2)$$

For typical processor applications with output voltages less than half the input voltage, the current will be increased much more quickly than it can be decreased. Thus, it may be more difficult for the converter to stay within the regulation limits when the load is removed than when it is applied and excessive overshoot may result.

The output voltage ripple can be calculated using the output inductor value derived in this Section ( $L_{O,MIN}$ ), the number of output capacitors ( $N_{OUT,MIN}$ ) and the per capacitor ESR determined in the previous Section:

$$V_{OUT,P-P} = (ESR \text{ per cap} / N_{OUT,MIN}) \cdot [(V_{IN} - \#Phases \cdot V_{OUT}) \cdot D / (L_{O,MIN} \cdot f_{SW})] \quad (4)$$

This formula assumes steady-state conditions with no more than one phase on at any time. The second term in Equation 4 is the total ripple current seen by the output capacitors. The total output ripple current is the “time summation” of the four individual phase currents that are 90 degrees out-of-phase. As the inductor current in one phase ramps upward, current in the other phase ramps downward and provides a canceling of currents during part of the switching cycle. Therefore, the total output ripple current and voltage are reduced in a multi-phase converter.

### 4. Input Capacitor Selection

The choice and number of input capacitors is primarily determined by their voltage and ripple current ratings. The designer must choose capacitors that will support the worst case input voltage with adequate margin. To calculate the number of input capacitors, one must first determine the total RMS input ripple current. To this end, begin by calculating the average input current to the converter:

$$I_{IN,AVG} = I_{O,MAX} \cdot D / \eta \quad (5)$$

where:

D is the duty cycle of the converter,  $D = V_{OUT}/V_{IN}$ ;

$\eta$  is the specified minimum efficiency;

$I_{O,MAX}$  is the maximum converter output current.

The input capacitors will discharge when the control FET is ON and charge when the control FET is OFF as shown in Figure 24.

The following equations will determine the maximum and minimum currents delivered by the input capacitors:

$$I_{C,MAX} = I_{L_o,MAX} / \eta - I_{IN,AVG} \quad (6)$$

$$I_{C,MIN} = I_{L_o,MIN} / \eta - I_{IN,AVG} \quad (7)$$

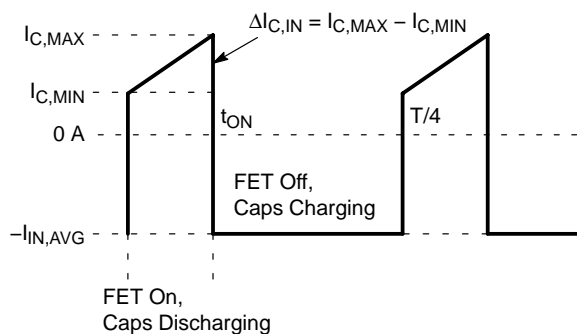
$I_{L_o,MAX}$  is the maximum output inductor current:

$$I_{L_o,MAX} = I_{O,MAX} / \phi + \Delta I_{L_o} / 2 \quad (8)$$

where  $\phi$  is the number of phases in operation.

$I_{L_o,MIN}$  is the minimum output inductor current:

$$I_{L_o,MIN} = I_{O,MAX} / \phi - \Delta I_{L_o} / 2 \quad (9)$$



**Figure 24. Input Capacitor Current for a Four-Phase Converter**

$\Delta I_{Lo}$  is the peak-to-peak ripple current in the output inductor of value  $L_o$ :

$$\Delta I_{Lo} = (V_{IN} - V_{OUT}) \cdot D / (L_o \cdot f_{SW}) \quad (10)$$

For the four-phase converter, the input capacitor(s) RMS current is then:

$$I_{CIN,RMS} = [4D \cdot (I_{C,MIN}^2 + I_{C,MIN} \cdot \Delta I_{C,IN} + \Delta I_{C,IN}^2 / 3) + I_{IN,AVG}^2 \cdot (1 - 4D)]^{1/2} \quad (11)$$

Select the number of input capacitors ( $N_{IN}$ ) to provide the RMS input current ( $I_{CIN,RMS}$ ) based on the RMS ripple current rating per capacitor ( $I_{RMS,RATED}$ ):

$$N_{IN} = I_{CIN,RMS} / I_{RMS,RATED} \quad (12)$$

For a four-phase converter with perfect efficiency ( $\eta = 1$ ), the worst case input ripple-current will occur when the converter is operating at a 12.5% duty cycle. At this operating point, the parallel combination of input capacitors must support an RMS ripple current equal to 12.5% of the converter's DC output current. At other duty cycles, the ripple-current will be less. For example, at a duty cycle of either 6% or 19%, the four-phase input ripple-current will be approximately 10% of the converter's DC output current.

In general, capacitor manufacturers require derating to the specified ripple-current based on the ambient temperature. More capacitors will be required because of the current derating. The designer should know the ESR of the input capacitors. The input capacitor power loss can be calculated from:

$$P_{CIN} = I_{CIN,RMS}^2 \cdot ESR_{per\_capacitor} / N_{IN} \quad (13)$$

Low ESR capacitors are recommended to minimize losses and reduce capacitor heating. The life of an electrolytic capacitor is reduced 50% for every 10°C rise in the capacitor's temperature.

## 5. Input Inductor Selection

The use of an inductor between the input capacitors and the power source will accomplish two objectives. First, it will isolate the voltage source and the system from the noise generated in the switching supply. Second, it will limit the inrush current into the input capacitors at power up. Large

inrush currents reduce the expected life of the input capacitors. The inductor's limiting effect on the input current slew rate becomes increasingly beneficial during load transients.

The worst case input current slew rate will occur during the first few PWM cycles immediately after a step-load change is applied as shown in Figure 25. When the load is applied, the output voltage is pulled down very quickly. Current through the output inductors will not change instantaneously, so the initial transient load current must be conducted by the output capacitors. The output voltage will step downward depending on the magnitude of the output current ( $I_{O,MAX}$ ), the per capacitor ESR of the output capacitors ( $ESR_{OUT}$ ) and the number of the output capacitors ( $N_{OUT}$ ) as shown in Figure 25. Assuming the load current is shared equally between all phases, the output voltage at full transient load will be:

$$V_{OUT,FULL-LOAD} = V_{OUT,NO-LOAD} - (I_{O,MAX} / \phi) \cdot ESR_{OUT} / N_{OUT} \quad (14)$$

When the control MOSFET (Q1 in Figure 25) turns ON, the input voltage will be applied to the opposite terminal of the output inductor (the SWNODE). At that instant, the voltage across the output inductor can be calculated as:

$$\begin{aligned} \Delta V_{Lo} &= V_{IN} - V_{OUT,FULL-LOAD} \\ &= V_{IN} - V_{OUT,NO-LOAD} \\ &\quad + (I_{O,MAX} / \phi) \cdot ESR_{OUT} / N_{OUT} \end{aligned} \quad (15)$$

The differential voltage across the output inductor will cause its current to increase linearly with time. The slew rate of this current can be calculated from:

$$dI_{Lo} / dt = \Delta V_{Lo} / L_o \quad (16)$$

Current changes slowly in the input inductor so the input capacitors must initially deliver the vast majority of the input current. The amount of voltage drop across the input capacitors ( $\Delta V_{Ci}$ ) is determined by the number of input capacitors ( $N_{IN}$ ), their per capacitor ESR ( $ESR_{IN}$ ) and the current in the output inductor according to:

$$\begin{aligned} \Delta V_{Ci} &= ESR_{IN} / N_{IN} \cdot dI_{Lo} / dt \cdot t_{ON} \\ &= ESR_{IN} / N_{IN} \cdot dI_{Lo} / dt \cdot D / f_{SW} \end{aligned} \quad (17)$$

Before the load is applied, the voltage across the input inductor ( $V_{Li}$ ) is very small and the input capacitors charge to the input voltage  $V_{IN}$ . After the load is applied, the voltage drop across the input capacitors,  $\Delta V_{Ci}$ , appears across the input inductor as well. Knowing this, the minimum value of the input inductor can be calculated from:

$$\begin{aligned} L_{iMIN} &= V_{Li} / dI_{IN} / dt_{MAX} \\ &= \Delta V_{Ci} / dI_{IN} / dt_{MAX} \end{aligned} \quad (18)$$

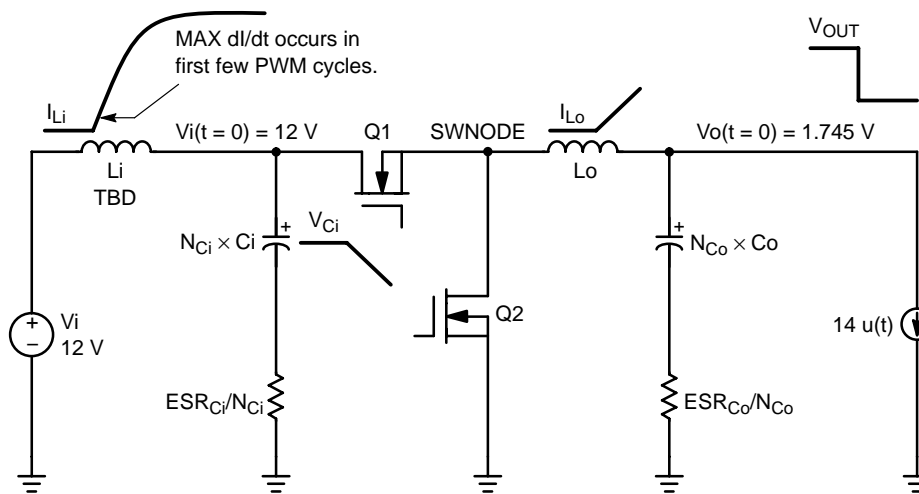
$dI_{IN} / dt_{MAX}$  is the maximum allowable input current slew rate.

The input inductance value calculated from Equation 18 is relatively conservative. It assumes the supply voltage is very “stiff” and does not account for any parasitic elements that will limit  $dI/dt$  such as stray inductance. Also, the ESR values of the capacitors specified by the manufacturer’s data sheets are worst case high limits. In reality, input voltage “sag,” lower capacitor ESRs and stray inductance will help reduce the slew rate of the input current.

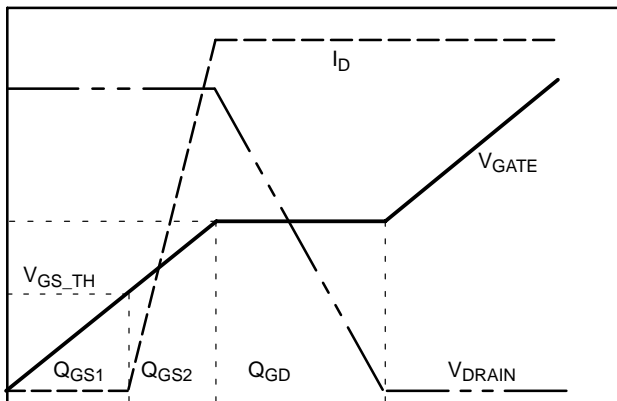
As with the output inductor, the input inductor must support the maximum current without saturating the inductor. Also, for an inexpensive iron powder core, such as the –26 or –52 from Micrometals, the inductance “swing” with DC bias must be taken into account and inductance will decrease as the DC input current increases. At the maximum input current, the inductance must not decrease below the minimum value or the  $dI/dt$  will be higher than expected.

**6. MOSFET and Heatsink Selection**

Power dissipation, package size and thermal requirements drive MOSFET selection. To adequately size the heat sink, the design must first predict the MOSFET power dissipation. Once the dissipation is known, the heat sink thermal impedance can be calculated to prevent the specified maximum case or junction temperatures from being exceeded at the highest ambient temperature. Power dissipation has two primary contributors: conduction losses and switching losses. The control or upper MOSFET will display both switching and conduction losses. The synchronous or lower MOSFET will exhibit only conduction losses because it switches into nearly zero voltage. However, the body diode in the synchronous MOSFET will suffer diode losses during the non–overlap time of the gate drivers.



**Figure 25. Calculating the Input Inductance**



**Figure 26. MOSFET Switching Characteristics**

For the upper or control MOSFET, the power dissipation can be approximated from:

$$\begin{aligned}
 P_{D,CONTROL} = & (I_{RMS,CNTL}^2 \cdot R_{DS(on)}) \quad (19) \\
 & + (I_{Lo,MAX} \cdot Q_{switch}/I_g \cdot V_{IN} \cdot f_{SW}) \\
 & + (Q_{oss}/2 \cdot V_{IN} \cdot f_{SW}) + (V_{IN} \cdot Q_{RR} \cdot f_{SW})
 \end{aligned}$$

The first term represents the conduction or IR losses when the MOSFET is ON while the second term represents the switching losses. The third term is the loss associated with the control and synchronous MOSFET output charge when the control MOSFET turns ON. The output losses are caused by both the control and synchronous MOSFET but are dissipated only in the control FET. The fourth term is the loss due to the reverse recovery time of the body diode in the synchronous MOSFET. The first two terms are usually adequate to predict the majority of the losses.

$I_{RMS,CNTL}$  is the RMS value of the trapezoidal current in the control MOSFET:

$$I_{RMS,CNTL} = \sqrt{D} \cdot [(I_{Lo,MAX}^2 + I_{Lo,MAX} \cdot I_{Lo,MIN} + I_{Lo,MIN}^2)/3]^{1/2} \quad (20)$$

$I_{Lo,MAX}$  is the maximum output inductor current:

$$I_{Lo,MAX} = I_{O,MAX}/\phi + \Delta I_{Lo}/2 \quad (21)$$

$I_{Lo,MIN}$  is the minimum output inductor current:

$$I_{Lo,MIN} = I_{O,MAX}/\phi - \Delta I_{Lo}/2 \quad (22)$$

$I_{O,MAX}$  is the maximum converter output current.

$D$  is the duty cycle of the converter:

$$D = V_{OUT}/V_{IN} \quad (23)$$

$\Delta I_{Lo}$  is the peak-to-peak ripple current in the output inductor of value  $L_o$ :

$$\Delta I_{Lo} = (V_{IN} - V_{OUT}) \cdot D/(L_o \cdot f_{SW}) \quad (24)$$

$R_{DS(on)}$  is the ON resistance of the MOSFET at the applied gate drive voltage.

$Q_{switch}$  is the post gate threshold portion of the gate-to-source charge plus the gate-to-drain charge. This may be specified in the data sheet or approximated from the gate-charge curve as shown in the Figure 26.

$$Q_{switch} = Q_{gs2} + Q_{gd} \quad (25)$$

$I_g$  is the output current from the gate driver IC.

$V_{IN}$  is the input voltage to the converter.

$f_{sw}$  is the switching frequency of the converter.

$Q_G$  is the MOSFET total gate charge to obtain  $R_{DS(on)}$ ; commonly specified in the data sheet.

$V_g$  is the gate drive voltage.

$Q_{RR}$  is the reverse recovery charge of the *lower* MOSFET.

$Q_{oss}$  is the MOSFET output charge specified in the data sheet.

For the lower or synchronous MOSFET, the power dissipation can be approximated from:

$$P_{D,SYNCH} = (I_{RMS,SYNCH}^2 \cdot R_{DS(on)}) + (V_{fdiode} \cdot I_{O,MAX}/2 \cdot t_{nonoverlap} \cdot f_{SW}) \quad (26)$$

where:

$V_{fdiode}$  is the forward voltage of the MOSFET's intrinsic diode at the converter output current.

$t_{nonoverlap}$  is the non-overlap time between the upper and lower gate drivers to prevent cross conduction.

This time is usually specified in the data sheet for the control IC.

The first term represents the conduction or IR losses when the MOSFET is ON and the second term represents the diode losses that occur during the gate non-overlap time.

All terms were defined in the previous discussion for the control MOSFET with the exception of:

$$I_{RMS,SYNCH} = \sqrt{1 - D} \cdot [(I_{Lo,MAX}^2 + I_{Lo,MAX} \cdot I_{Lo,MIN} + I_{Lo,MIN}^2)/3]^{1/2} \quad (27)$$

When the MOSFET power dissipations are known, the designer can calculate the required thermal impedance to maintain a specified junction temperature at the worst case ambient operating temperature.

$$\theta_T < (T_J - T_A)/P_D \quad (28)$$

where:

$\theta_T$  is the total thermal impedance ( $\theta_{JC} + \theta_{SA}$ );

$\theta_{JC}$  is the junction-to-case thermal impedance of the MOSFET;

$\theta_{SA}$  is the sink-to-ambient thermal impedance of the heatsink assuming direct mounting of the MOSFET (no thermal "pad" is used);

$T_J$  is the specified maximum allowed junction temperature;

$T_A$  is the worst case ambient operating temperature.

For TO-220 and TO-263 packages, standard FR-4 copper clad circuit boards will have approximate thermal resistances ( $\theta_{SA}$ ) as shown below:

Pad Size (in <sup>2</sup> /mm <sup>2</sup> )	Single-Sided 1 oz Copper
0.50/323	60–65°C/W
0.75/484	55–60°C/W
1.00/645	50–55°C/W
1.50/968	45–50°C/W

As with any power design, proper laboratory testing should be performed to insure the design will dissipate the required power under worst case operating conditions. Variables considered during testing should include maximum ambient temperature, minimum airflow, maximum input voltage, maximum loading and component variations (i.e., worst case MOSFET  $R_{DS(on)}$ ). Also, the inductors and capacitors share the MOSFET's heatsinks and will add heat and raise the temperature of the circuit board and MOSFET. For any new design, it is advisable to have as much heatsink area as possible. All too often, new designs are found to be too hot and require re-design to add heatsinking.

## 7. Adaptive Voltage Positioning

Two resistors program the Adaptive Voltage Positioning (AVP):  $R_{FB}$  and  $R_{DRP}$ . These components form a resistor divider, shown in Figures 27 and 28, between  $V_{DRP}$ ,  $V_{FB}$ , and  $V_{OUT}$ .

Resistor  $R_{FB}$  is connected between  $V_{OUT}$  and the  $V_{FB}$  pin of the controller. At no load, this resistor will conduct the very small internal bias current of the  $V_{FB}$  pin. Therefore  $V_{FB}$  should be kept below 10 k $\Omega$  to avoid output voltage error due to the input bias current. If the  $R_{FB}$  resistor is kept small, the  $V_{FB}$  bias current can be ignored.

Resistor  $R_{DRP}$  is connected between the  $V_{DRP}$  and  $V_{FB}$  pins of the controller. At no load, these pins should be at an equal potential, and no current should flow through  $R_{DRP}$ . In reality, the bias current coming out of the  $V_{DRP}$  pin is likely to have a small positive voltage with respect to  $V_{FB}$ . This current produces a small decrease in output voltage at no load, which can be minimized by keeping the  $R_{DRP}$  resistor

# NCP5314

below 30 kΩ. As load current increases, the voltage at the V<sub>DRP</sub> pin rises. The ratio of the R<sub>DRP</sub> and R<sub>F<sub>FB</sub></sub> resistors causes the voltage at the V<sub>F<sub>FB</sub></sub> pin to rise, reducing the output voltage. Figure 29 shows the DC effect of AVP, given an appropriate resistor ratio.

To choose components, recall that the two resistors R<sub>F<sub>FB</sub></sub> and R<sub>DRP</sub> form a voltage divider. Select the appropriate resistor ratio to achieve the desired loadline. At no load, the output voltage is positioned 20 mV below the DAC output setting.

The output voltage droop will follow the equation:

$$R_{DRP} = g \cdot \frac{R_L \cdot R_{FB}}{R_{LL}} \quad (29)$$

where:

- g = current sense amplifier to V<sub>DRP</sub> gain (V/V);
- R<sub>L</sub> = ESR of L<sub>o</sub> inductor (mΩ);
- R<sub>LL</sub> = load line resistance (mΩ).

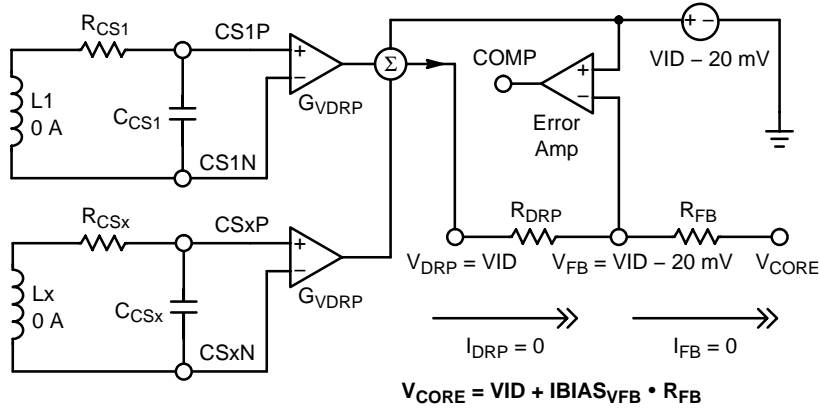


Figure 27. AVP Circuitry at No-Load

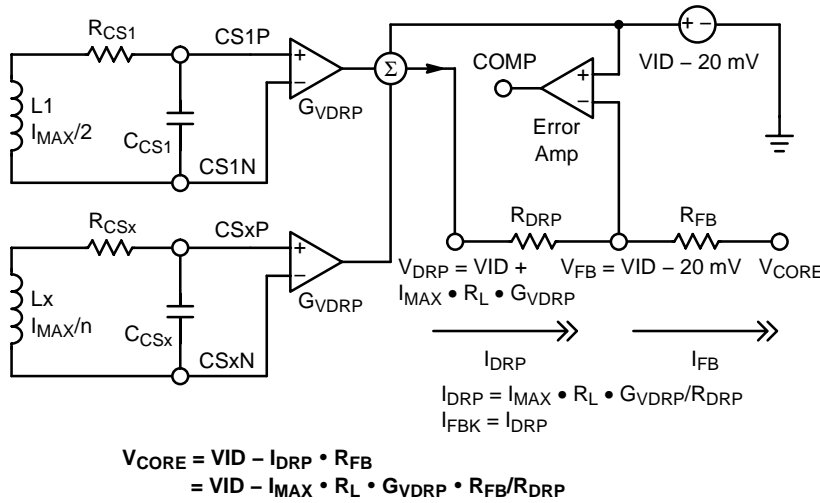


Figure 28. AVP Circuitry at Full-Load

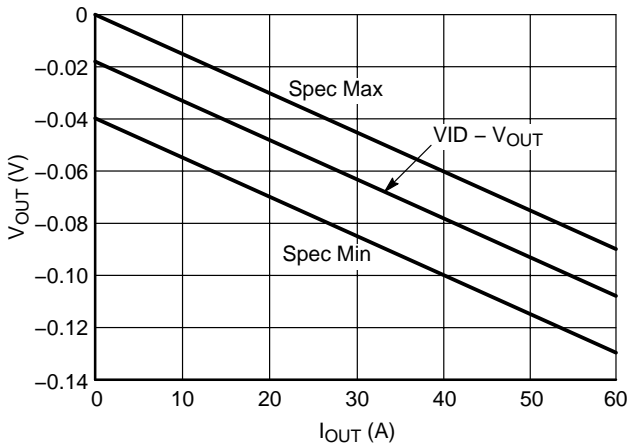


Figure 29. The DC Effects of AVP vs. Load

It is easiest to select a value for  $R_{FB}$  and then evaluate the equation to find  $R_{DRP}$ .  $R_{LL}$  is simply the desired output voltage droop divided by the output current. If inductor sensing is used,  $R_L$  will be the resistance of the inductor, assuming that the current sense network equation (eq. 30) is valid. Refer to the discussion on Current Sensing for further information.

8. Current Sensing

Current sensing is used to balance current between different phases, to limit the maximum phase current and to limit the maximum system current. Since the current information, sensed across the inductor, is a part of the control loop, better stability is achieved if the current information is accurate and noise-free. The NCP5314 introduces a novel feature to achieve the best possible performance: differential current sense amplifiers.

Two sense lines are routed for each phase, as shown in Figure 28.

For inductive current sensing, choose the current sense network ( $R_{CSx}$ ,  $C_{CSx}$ ,  $x = 1, 2, 3$  or  $4$ ) to satisfy

$$R_{CSx} \cdot C_{CSx} = L_o / (R_L + R_{PCB}) \quad (30)$$

This will provide an adequate starting point for  $R_{CSx}$  and  $C_{CSx}$ . After the converter is constructed, the value of  $R_{CSx}$  (and/or  $C_{CSx}$ ) should be fine-tuned in the lab by observing the  $V_{DRP}$  signal during a step change in load current. Tune the  $R_{CSx} \cdot C_{CSx}$  network by varying  $R_{CSx}$  to provide a “square-wave” at the  $V_{DRP}$  output pin with maximum rise time and minimal overshoot as shown in Figure 32.

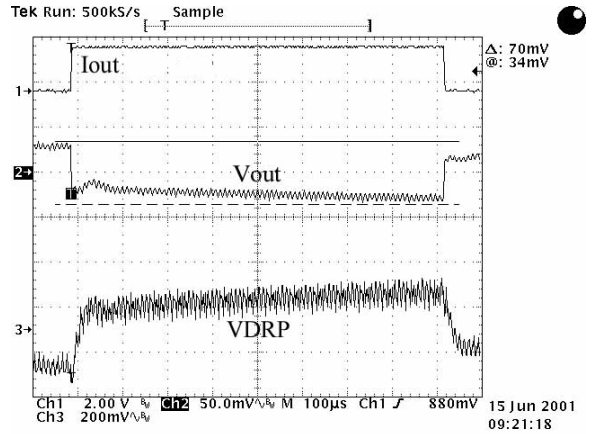


Figure 30.  $V_{DRP}$  Tuning Waveforms. The RC Time Constant of the Current Sense Network Is Too Long (Slow):  $V_{DRP}$  and  $V_{OUT}$  Respond Too Slowly.

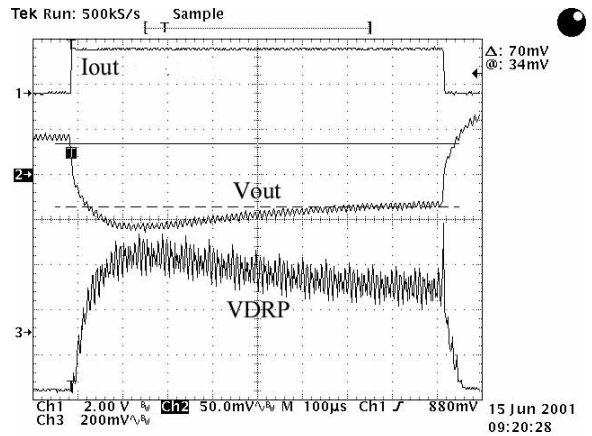


Figure 31.  $V_{DRP}$  Tuning Waveforms. The RC Time Constant of the Current Sense Network Is Too Short (Fast):  $V_{DRP}$  and  $V_{OUT}$  Both Overshoot.

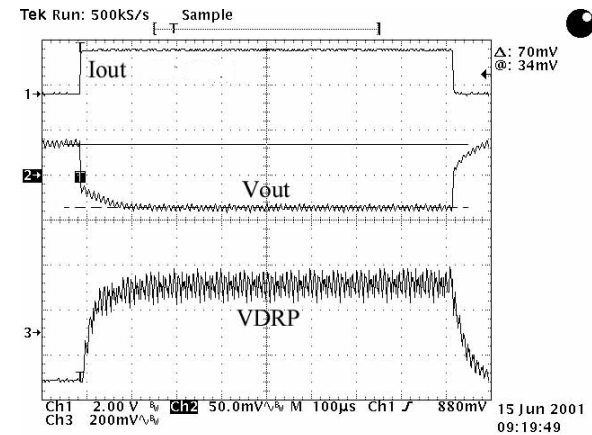


Figure 32.  $V_{DRP}$  Tuning Waveforms. The RC Time Constant of the Current Sense Network Is Optimal:  $V_{DRP}$  and  $V_{OUT}$  Respond to the Load Current Quickly Without Overshooting.



9. Error Amplifier Tuning

After the steady-state (static) AVP has been set and the current sense network has been optimized, the Error Amplifier must be tuned. The gain of the Error Amplifier should be adjusted to provide an acceptable transient response by increasing or decreasing the Error Amplifier's feedback capacitor ( $C_{AMP}$  in the Applications Diagram). The bandwidth of the control loop will vary directly with the gain of the error amplifier.

If  $C_{AMP}$  is too large, the loop gain/bandwidth will be low, the COMP pin will slew too slowly and the output voltage will overshoot as shown in Figure 33. On the other hand, if  $C_{AMP}$  is too small, the loop gain/bandwidth will be high, the COMP pin will slew very quickly and overshoot will occur. Integrator "wind up" is the cause of the overshoot. In this

case, the output voltage will transition more slowly because COMP spikes upward as shown in Figure 34. Too much loop gain/bandwidth increases the risk of instability. In general, one should use the lowest loop gain/bandwidth possible to achieve acceptable transient response. This will insure good stability. If  $C_{AMP}$  is optimal, the COMP pin will slew quickly but not overshoot and the output voltage will monotonically settle as shown in Figure 35.

After the control loop is tuned to provide an acceptable transient response, the steady-state voltage ripple on the COMP pin should be examined. When the converter is operating at full steady-state load, the peak-to-peak voltage ripple ( $V_{PP}$ ) on the COMP pin should be less than 20 mV<sub>PP</sub> as shown in Figure 36. Less than 10 mV<sub>PP</sub> is ideal. Excessive ripple on the COMP pin will contribute to jitter.

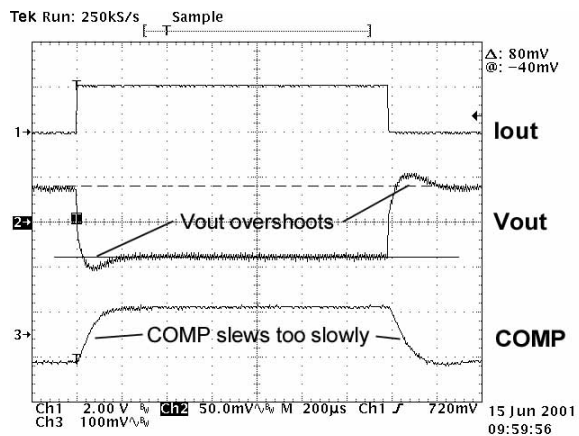


Figure 33. The Value of  $C_{AMP}$  Is Too High and the Loop Gain/Bandwidth Too Low. COMP Slews Too Slowly Which Results in Overshoot in  $V_{OUT}$ .

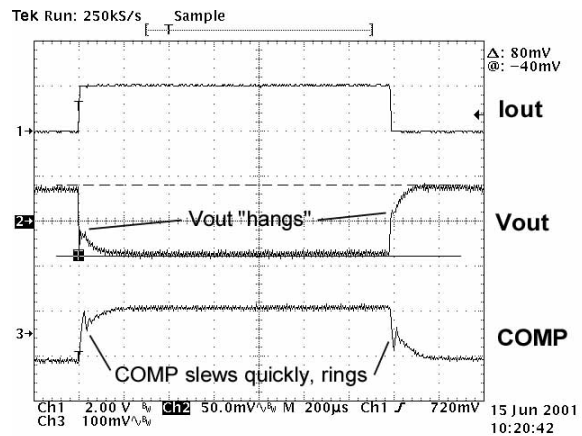


Figure 34. The Value of  $C_{AMP}$  Is Too Low and the Loop Gain/Bandwidth Too High. COMP Moves Too Quickly, Which Is Evident from the Small Spike in Its Voltage When the Load Is Applied or Removed. The Output Voltage Transitions More Slowly Because of the COMP Spike.

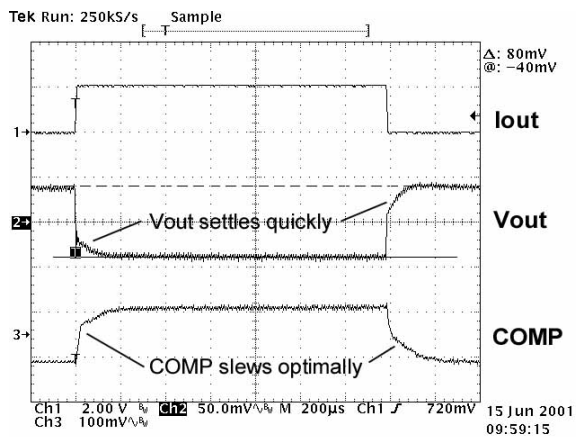


Figure 35. The Value of  $C_{AMP}$  Is Optimal. COMP Slews Quickly Without Spiking or Ringing.  $V_{OUT}$  Does Not Overshoot and Monotonically Settles to Its Final Value.

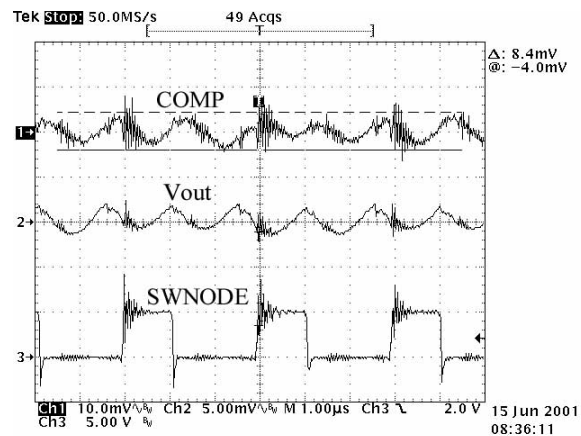


Figure 36. At Full-Load the Peak-to-Peak Voltage Ripple on the COMP Pin Should Be Less than 20 mV for a Well-Tuned/Stable Controller. Higher COMP Voltage Ripple Will Contribute to Output Voltage Jitter.

## 10. Current Limit Setting

When the output of the current sense amplifier (COx in the block diagram) exceeds the voltage on the I<sub>LIM</sub> pin, the part will latch off. For inductive sensing, the I<sub>LIM</sub> pin voltage should be set based on the inductor's maximum resistance (R<sub>LMAX</sub>). The design must consider the inductor's resistance increase due to current heating and ambient temperature rise. Also, depending on the current sense points, the circuit board may add additional resistance. In general, the temperature coefficient of copper is +0.39% per °C. To set the level of the I<sub>LIM</sub> pin:

$$V_{ILIM} = (I_{OUT,LIM} + \Delta I_{Lo}/2) \cdot R \cdot G_{ILIM} \quad (31)$$

where:

I<sub>OUT,LIM</sub> is the current limit threshold of the converter;

ΔI<sub>Lo</sub>/2 is half the inductor ripple current;

R is R<sub>LMAX</sub> + R<sub>PCB</sub>;

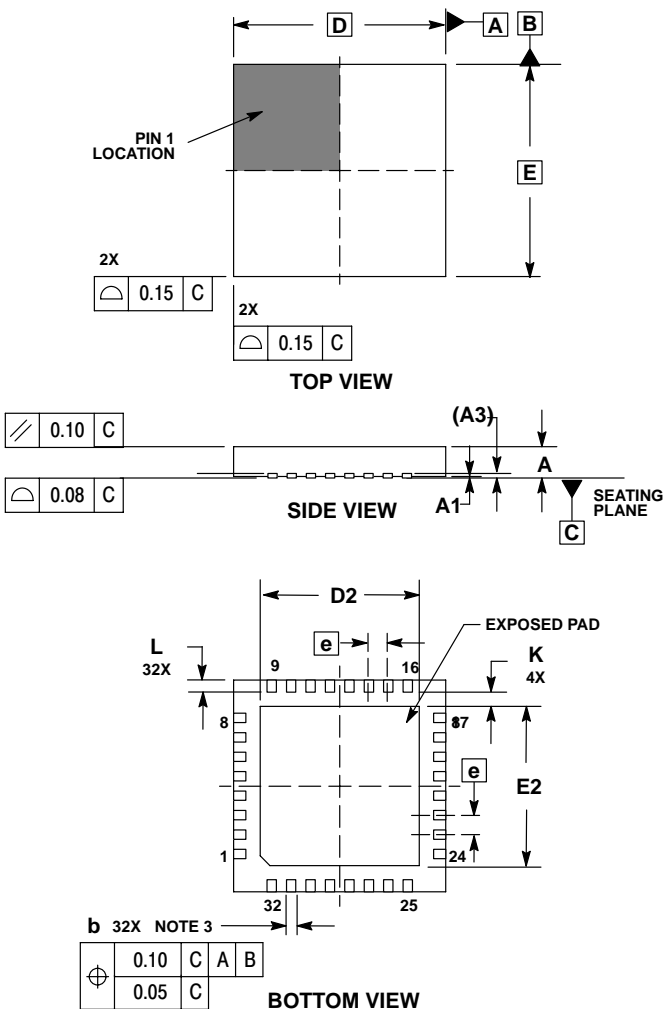
G<sub>ILIM</sub> is the current sense to I<sub>LIM</sub> gain.

For the overcurrent protection to work properly, the current sense time constant (RC) should be slightly larger than the R<sub>L</sub> time constant. If the RC time constant is too fast, a step load change will cause the sensed current waveform to appear larger than the actual inductor current and will trip the current limit at a lower level than expected.

# NCP5314

## PACKAGE DIMENSIONS

32 PIN QFN, 7 x 7 mm  
 MN SUFFIX  
 CASE 485J-02  
 ISSUE C



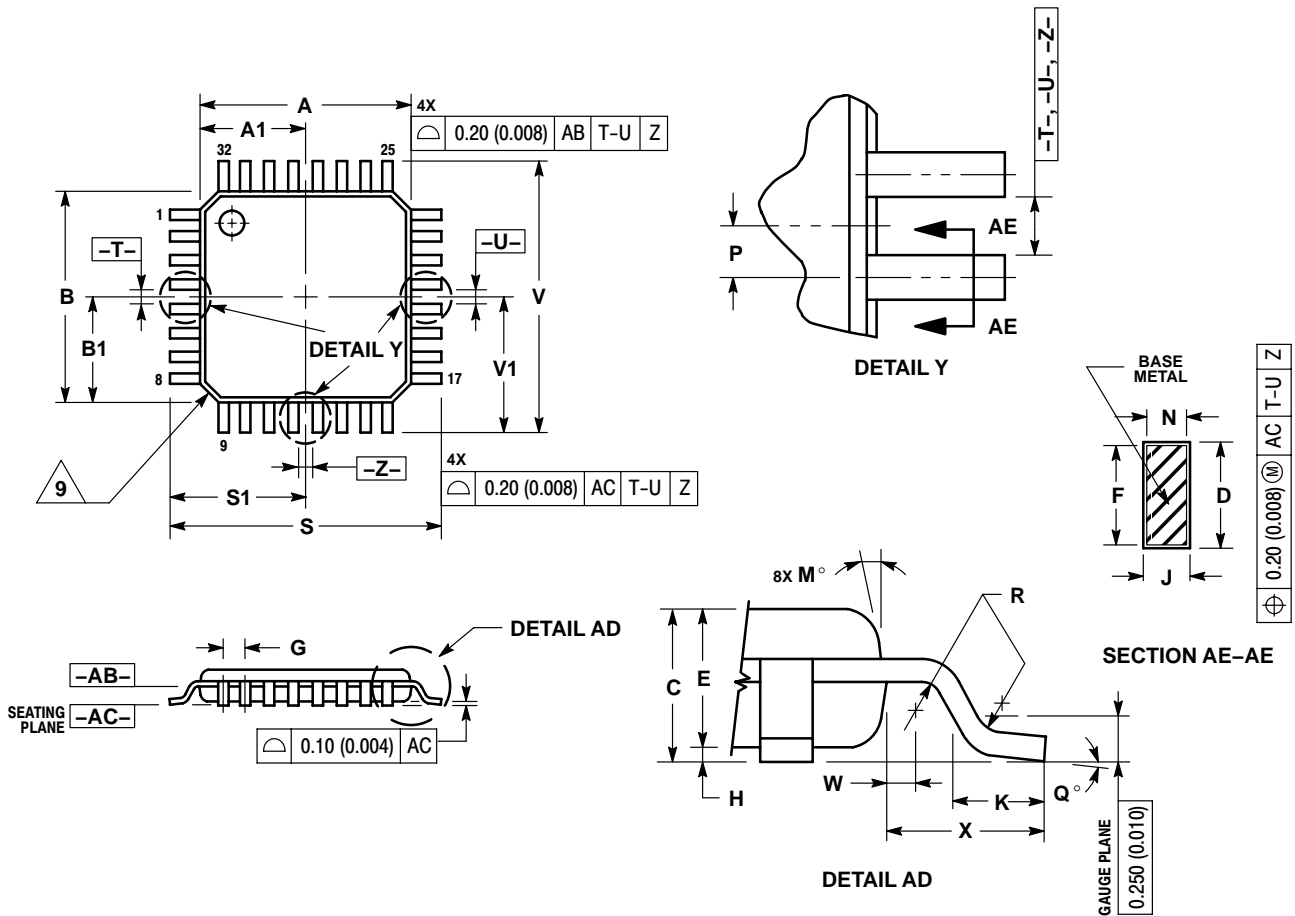
- NOTES:
1. DIMENSIONING AND TOLERANCING PER ASME Y14.5M, 1994.
  2. CONTROLLING DIMENSION: MILLIMETERS.
  3. DIMENSION b APPLIES TO PLATED TERMINAL AND IS MEASURED BETWEEN 0.25 AND 0.30 MM FROM TERMINAL.
  4. COPLANARITY APPLIES TO THE EXPOSED PAD AS WELL AS THE TERMINALS.

DIM	MILLIMETERS		
	MIN	NOM	MAX
A	0.800	0.900	1.000
A1	0.000	0.025	0.050
A3	0.200 REF		
b	0.250	0.250	0.350
D	7.00 BSC		
D2	5.160	5.260	5.360
E	7.00 BSC		
E2	5.160	5.260	5.360
e	0.650 BSC		
K	0.200	---	---
L	0.300	0.400	0.500

# NCP5314

## PACKAGE DIMENSIONS

32 LEAD LQFP  
CASE 873A-02  
ISSUE C




### NOTES:

1. DIMENSIONING AND TOLERANCING PER ANSI Y14.5M, 1982.
2. CONTROLLING DIMENSION: MILLIMETER.
3. DATUM PLANE -AB- IS LOCATED AT BOTTOM OF LEAD AND IS COINCIDENT WITH THE LEAD WHERE THE LEAD EXITS THE PLASTIC BODY AT THE BOTTOM OF THE PARTING LINE.
4. DATUMS -T-, -U-, AND -Z- TO BE DETERMINED AT DATUM PLANE -AB-.
5. DIMENSIONS S AND V TO BE DETERMINED AT SEATING PLANE -AC-.
6. DIMENSIONS A AND B DO NOT INCLUDE MOLD PROTRUSION. ALLOWABLE PROTRUSION IS 0.250 (0.010) PER SIDE. DIMENSIONS A AND B DO INCLUDE MOLD MISMATCH AND ARE DETERMINED AT DATUM PLANE -AB-.
7. DIMENSION D DOES NOT INCLUDE DAMBAR PROTRUSION. DAMBAR PROTRUSION SHALL NOT CAUSE THE D DIMENSION TO EXCEED 0.520 (0.020).
8. MINIMUM SOLDER PLATE THICKNESS SHALL BE 0.0076 (0.0003).
9. EXACT SHAPE OF EACH CORNER MAY VARY FROM DEPICTION.

DIM	MILLIMETERS		INCHES	
	MIN	MAX	MIN	MAX
A	7.000	BSC	0.276	BSC
A1	3.500	BSC	0.138	BSC
B	7.000	BSC	0.276	BSC
B1	3.500	BSC	0.138	BSC
C	1.400	1.600	0.055	0.063
D	0.300	0.450	0.012	0.018
E	1.350	1.450	0.053	0.057
F	0.300	0.400	0.012	0.016
G	0.800	BSC	0.031	BSC
H	0.050	0.150	0.002	0.006
J	0.090	0.200	0.004	0.008
K	0.450	0.750	0.018	0.030
M	12°	REF	12°	REF
N	0.090	0.160	0.004	0.006
P	0.400	BSC	0.016	BSC
Q	1°	5°	1°	5°
R	0.150	0.250	0.006	0.010
S	9.000	BSC	0.354	BSC
S1	4.500	BSC	0.177	BSC
V	9.000	BSC	0.354	BSC
V1	4.500	BSC	0.177	BSC
W	0.200	REF	0.008	REF
X	1.000	REF	0.039	REF

# NCP5314

V<sup>2</sup> is a trademark of Switch Power, Inc.

**ON Semiconductor** and  are registered trademarks of Semiconductor Components Industries, LLC (SCILLC). SCILLC reserves the right to make changes without further notice to any products herein. SCILLC makes no warranty, representation or guarantee regarding the suitability of its products for any particular purpose, nor does SCILLC assume any liability arising out of the application or use of any product or circuit, and specifically disclaims any and all liability, including without limitation special, consequential or incidental damages. "Typical" parameters which may be provided in SCILLC data sheets and/or specifications can and do vary in different applications and actual performance may vary over time. All operating parameters, including "Typicals" must be validated for each customer application by customer's technical experts. SCILLC does not convey any license under its patent rights nor the rights of others. SCILLC products are not designed, intended, or authorized for use as components in systems intended for surgical implant into the body, or other applications intended to support or sustain life, or for any other application in which the failure of the SCILLC product could create a situation where personal injury or death may occur. Should Buyer purchase or use SCILLC products for any such unintended or unauthorized application, Buyer shall indemnify and hold SCILLC and its officers, employees, subsidiaries, affiliates, and distributors harmless against all claims, costs, damages, and expenses, and reasonable attorney fees arising out of, directly or indirectly, any claim of personal injury or death associated with such unintended or unauthorized use, even if such claim alleges that SCILLC was negligent regarding the design or manufacture of the part. SCILLC is an Equal Opportunity/Affirmative Action Employer. This literature is subject to all applicable copyright laws and is not for resale in any manner.

## PUBLICATION ORDERING INFORMATION

### LITERATURE FULFILLMENT:

Literature Distribution Center for ON Semiconductor  
P.O. Box 5163, Denver, Colorado 80217 USA  
**Phone:** 303-675-2175 or 800-344-3860 Toll Free USA/Canada  
**Fax:** 303-675-2176 or 800-344-3867 Toll Free USA/Canada  
**Email:** [orderlit@onsemi.com](mailto:orderlit@onsemi.com)

**N. American Technical Support:** 800-282-9855 Toll Free  
USA/Canada  
**Europe, Middle East and Africa Technical Support:**  
Phone: 421 33 790 2910  
**Japan Customer Focus Center**  
Phone: 81-3-5773-3850

**ON Semiconductor Website:** [www.onsemi.com](http://www.onsemi.com)  
**Order Literature:** <http://www.onsemi.com/orderlit>  
For additional information, please contact your local  
Sales Representative